

**Product Specification**

# SPECIFICATION FOR APPROVAL

- ( ) Preliminary Specification
- (◆) Final Specification

Title	18.5" HD TFT LCD
-------	------------------

BUYER	FTS
MODEL	

SUPPLIER	LG Display Co., Ltd.
*MODEL	LM185WH2
SUFFIX	TLA1

\*When you obtain standard approval, please use the above model name without suffix

SIGNATURE	DATE
/	
/	
/	

APPROVED BY	DATE
S.G. Hong / G.Manager	<i>[Signature]</i> 2010.6.22
<b>REVIEWED BY</b>	
S.U. Byun / Manager [C]	<i>[Signature]</i>
Y.H. Hwang / Manager [M]	<i>[Signature]</i>
H.S. Lee / Manager [P]	<i>[Signature]</i>
<b>PREPARED BY</b>	
D.K. Heo / Engineer	<i>[Signature]</i>

Please return 1 copy for your confirmation  
With your signature and comments.

**Product Engineering Dept.  
LG Display Co., Ltd**

**Product Specification**
**Contents**

No	ITEM	Page
	COVER	1
	CONTENTS	2
	RECORD OF REVISIONS	3
1	GENERAL DESCRIPTION	4
2	ABSOLUTE MAXIMUM RATINGS	5
3	ELECTRICAL SPECIFICATIONS	6
	1) ELECTRICAL CHARACTERISTICS	6
	2) INTERFACE CONNECTIONS	8
	3) LVDS characteristics	11
	4) SIGNAL TIMING SPECIFICATIONS	14
	5) SIGNAL TIMING WAVEFORMS	15
	6) COLOR INPUT DATA REFERNECE	16
	7) POWER SEQUENCE	17
	8) POWER DIP CONDITION	18
4	OPTICAL SFECIFICATIONS	19
5	MECHANICAL CHARACTERISTICS	24
6	RELIABILITY	27
7	INTERNATIONAL STANDARDS	28
	1) SAFETY	28
	2) EMC	28
8	PACKING	29
	1) DESIGNATION OF LOT MARK	29
	2) PACKING FORM	29
9	PRECAUTIONS	30
	1) MOUNTING PRECAUTIONS	30
	2) OPERATING PRECAUTIONS	30
	3) ELECTROSTATIC DISCHARGE CONTROL	31
	4) PRECAUTIONS FOR STRONG LIGHT EXPOSURE	31
	5) STROAGE	31
	6) HANDLING PRECAUTIONS FOR PROTECTION FILM	31

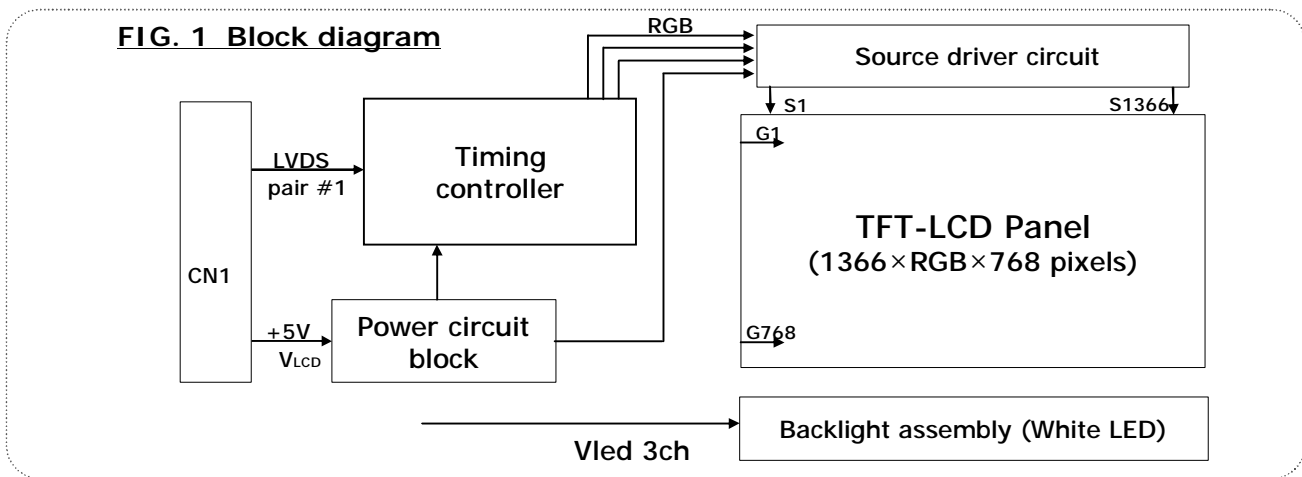
**Product Specification**
**Record of revisions**

Revision No	Date	Page	Description																						
Ver 0.0	OCT.,22,2009		Preliminary Specifications																						
Ver 0.1	JAN.,26,2010	4	- Changed Power Consumption Before : Total 13.29W(Typ.), 9.79W@IBL=60mA After : Total 12.72(Typ.), 9.22W@IBL=60mA																						
		7	- Changed LED Bar Electrical Characteristics <table border="1" data-bbox="766 683 1380 873"> <thead> <tr> <th></th> <th>Before</th> <th>After</th> </tr> </thead> <tbody> <tr> <td>Parameter</td> <td>Typ.</td> <td>Typ.</td> </tr> <tr> <td>LED String Voltage</td> <td>54.4</td> <td>51.2</td> </tr> <tr> <td>Power Consumption</td> <td>9.79</td> <td>9.22</td> </tr> </tbody> </table>		Before	After	Parameter	Typ.	Typ.	LED String Voltage	54.4	51.2	Power Consumption	9.79	9.22										
	Before	After																							
Parameter	Typ.	Typ.																							
LED String Voltage	54.4	51.2																							
Power Consumption	9.79	9.22																							
Ver 0.2	MAR.,31,2010	5	- Add Notes 2 2. Storage condition is guaranteed under packing condition.																						
Ver 0.3	APR.,28,2010	4	- Changed Electrical Characteristics																						
		6	<table border="1" data-bbox="766 1052 1380 1299"> <thead> <tr> <th rowspan="2">Symbol</th> <th colspan="2">Before</th> <th colspan="2">After</th> </tr> <tr> <th>Typ.</th> <th>Max.</th> <th>Typ.</th> <th>Max..</th> </tr> </thead> <tbody> <tr> <td><math>I_{LCD-MOSAIC}</math></td> <td>700</td> <td>810</td> <td>720</td> <td>940</td> </tr> <tr> <td><math>I_{LCD-BLACK}</math></td> <td>880</td> <td>1015</td> <td>900</td> <td>1170</td> </tr> <tr> <td><math>P_{LCD}</math></td> <td>3.50</td> <td>4.05</td> <td>3.60</td> <td>4.70</td> </tr> </tbody> </table>	Symbol	Before		After		Typ.	Max.	Typ.	Max..	$I_{LCD-MOSAIC}$	700	810	720	940	$I_{LCD-BLACK}$	880	1015	900	1170	$P_{LCD}$	3.50	4.05
Symbol	Before		After																						
	Typ.	Max.	Typ.	Max..																					
$I_{LCD-MOSAIC}$	700	810	720	940																					
$I_{LCD-BLACK}$	880	1015	900	1170																					
$P_{LCD}$	3.50	4.05	3.60	4.70																					
		7	- Delete LED Junction Temperature																						
Ver 0.4	JUN.,19,2010	6	- Changed Maximum Permissive Power Input Ripple 0.2V → 0.35V																						
		23	- Add Notes 9 9. TCO Display 5.0 Compliance																						
Ver 1.0	JUN.,21,2010		Final Specifications																						

**Product Specification**

### 1. General description

LM185WH2-TLA1 is a Color Active Matrix Liquid Crystal Display with a Light Emitting Diode ( White LED) backlight system without LED Driver. The matrix employs a-Si Thin Film Transistor as the active element. It is a transmissive type display operating in the normally white mode. It has a 18.5 inch diagonally measured active display area with HD resolution (768 vertical by 1366 horizontal pixel array) Each pixel is divided into Red, Green and Blue sub-pixels or dots which are arranged in vertical stripes. Gray scale or the brightness of the sub-pixel color is determined with a 8-bit gray scale signal for each dot, thus, presenting a palette of more than 16,7M colors with Advanced-FRC(Frame Rate Control). It has been designed to apply the interface method that enables low power, high speed, low EMI. FPD Link or compatible must be used as a LVDS chip. It is intended to support applications where thin thickness, wide viewing angle, low power are critical factors and graphic displays are important. In combination with the vertical arrangement of the sub-pixels, the LM185WH2-TLA1 characteristics provide an excellent flat panel display for office automation products such as monitors.



#### General features

Active screen size	18.51 inches (470.1mm) diagonal
Outline Dimension	430.4(H) x 254.6(V) x 9.7(D) mm(Typ.)
Pixel Pitch	0.10*RGB(H)mm x 0.30(V)mm
Pixel Format	1366 horizontal By 768 vertical Pixels. RGB stripe arrangement
Interface	LVDS 1Port
Color depth	16.7M colors
Luminance, white	250 cd/m <sup>2</sup> ( Center 1Point, typ)
Viewing Angle (CR>10)	R/L 170(Typ.), U/D 160(Typ.)
Power Consumption	Total 12.82W(Typ.), (3.60 W@V <sub>LCD</sub> , 9.22W@I <sub>BL</sub> = 60 mA)
Weight	1,000g (Typ.)
Display operating mode	Transmissive mode, Normally White
Surface treatments	Hard coating(3H), Anti-glare treatment of the front polarizer
Color Gamut	68% CIE1931

Product Specification

## 2. Absolute maximum ratings

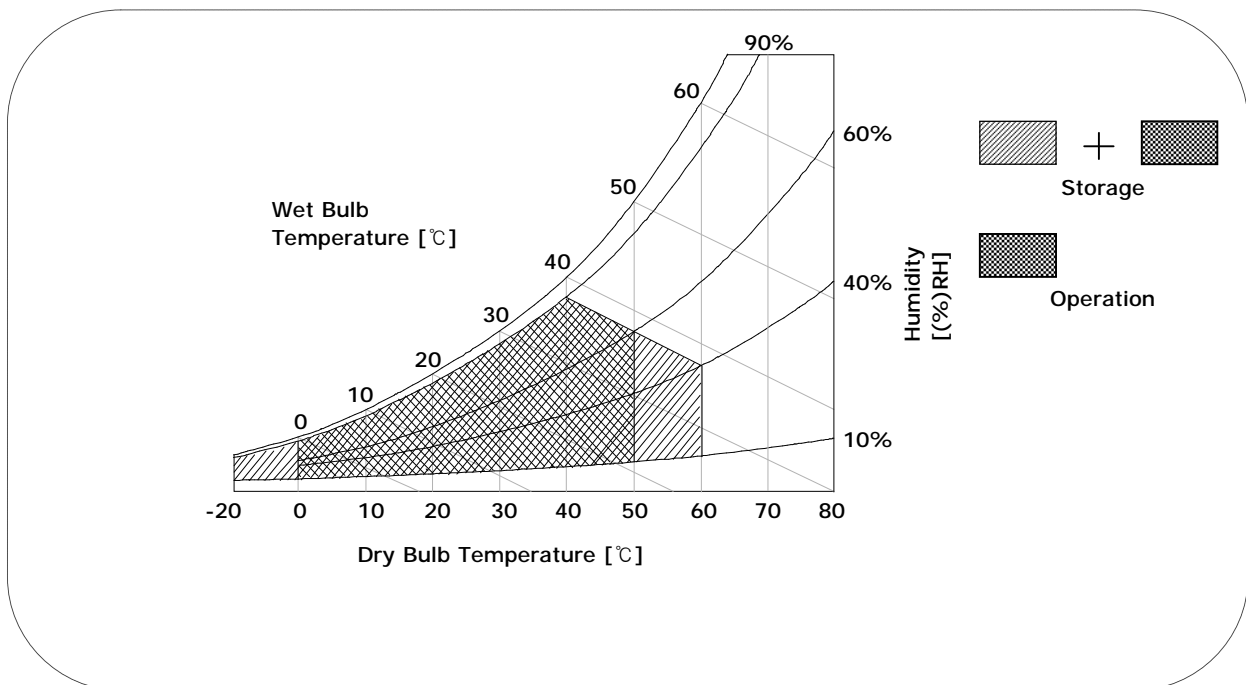
The following are maximum values which, if exceeded, may cause faulty operation or damage to the unit.

**Table 1. Absolute maximum ratings**

Parameter	Symbol	Values		Units	Notes
		Min	Max		
Power Supply Input Voltage	$V_{LCD}$	-0.3	+6.0	Vdc	At 25 °C
Operating Temperature	$T_{OP}$	0	50	°C	1, 2
Storage Temperature	$T_{ST}$	-20	60	°C	
Operating Ambient Humidity	$H_{OP}$	10	90	%RH	
Storage Humidity	$H_{ST}$	10	90	%RH	

- Notes : 1. Temperature and relative humidity range are shown in the figure below.  
 Wet bulb temperature should be 39 °C Max, and no condensation of water.  
 2. Storage condition is guaranteed under packing condition.

**FIG. 2 Temperature and relative humidity**



**Product Specification**

**3. Electrical specifications**

**3-1. Electrical characteristics**

It requires two power inputs. One is employed to power the LCD electronics and to drive the TFT array and liquid crystal. The second input power for the CCFL/Backlight, is typically generated by an inverter. The inverter is an external unit to the LCDs.

**Table 2. Electrical characteristics**

Parameter	Symbol	Values			Unit	Notes
		Min	Typ	Max		
<b>MODULE :</b>						
Power Supply Input Voltage	$V_{LCD}$	4.5	5.0	5.5	Vdc	
Permissive Power Input Ripple	$V_{LCD}$	-	-	0.35	V	3
Power Supply Input Current	$I_{LCD-MOSAIC}$	-	720	940	mA	1
	$I_{LCD-BLACK}$	-	900	1170	mA	2
Power Consumption	$P_{LCD}$	-	3.60	4.70	Watt	1
Inrush current	$I_{RUSH}$	-	-	3.0	A	4

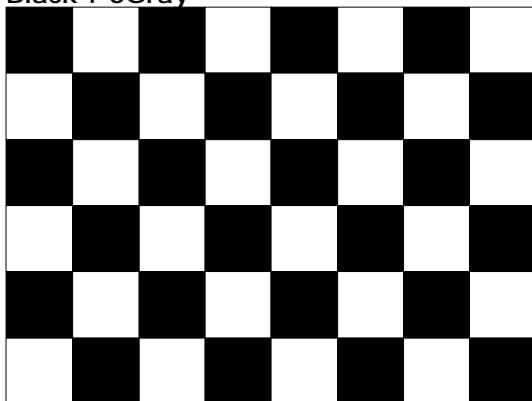
Notes :

1. The specified current and power consumption are under the  $V_{LCD}=5.0V$ ,  $25 \pm 2^{\circ}C$ ,  $f_v=60Hz$  condition whereas mosaic pattern(8 x 6) is displayed and  $f_v$  is the frame frequency.
2. The current is specified at the maximum current pattern.
3. Permissive power ripple should be measured under  $VCC=5.0V$ ,  $25^{\circ}C$ ,  $f_v$  (frame frequency)=75Hz condition and At that time, we recommend the bandwidth configuration of oscilloscope is to be under 20MHz.
4. The duration of rush current is about 5ms and rising time of power Input is  $500\mu s \pm 20\%$ .

**FIG.3 pattern for Electrical characteristics**

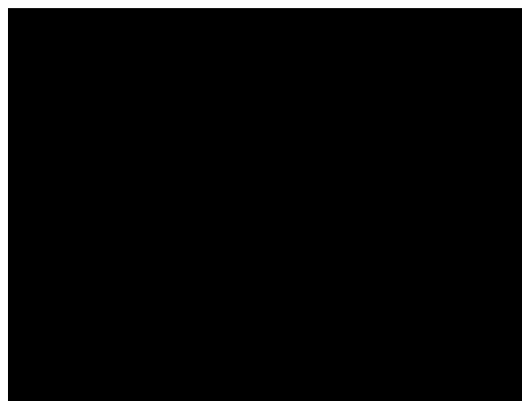
**power consumption measurement**

White : 255Gray  
Black : 0Gray



Mosaic Pattern(8 x 6)

**power input ripple**



Full Black Pattern

**Product Specification**
**Table 3. LED Bar ELECTRICAL CHARACTERISTICS**

Parameter	Symbol	Condition	Values			Unit	Notes
			Min.	Typ.	Max.		
<b>LED :</b>							1
LED String Current	Is		-	60	65	mA	2
LED String Voltage	Vs		-	51.2	56	V	3
Power Consumption	PBar		-	9.22	10.08	Watt	4,6
LED Life Time	LED_LT		30,000	-	-	Hrs	5

**LED driver design guide**

: The design of the LED driver must have specifications for the LED in LCD Assembly.

The performance of the LED in LCM, for example life time or brightness, is extremely influenced by the characteristics of the LED driver.

So all the parameters of an LED driver should be carefully designed and output current should be Constant current control.

Please control feedback current of each string individually to compensate the current variation among the strings of LEDs

When you design or order the LED driver, please make sure unwanted lighting caused by the mismatch of the LED and the LED driver (no lighting, flicker, etc) never occurs.

When you confirm it, the LCD module should be operated in the same condition as installed in your instrument.

1. Specified values are for a single LED bar.
2. The specified current is input LED chip 100% duty current.
3. The specified voltage is input LED string and Bar voltage at typical 60mA 100% duty current.
4. The specified power consumption is input LED bar power consumption at typical 60 mA 100% duty current.
5. The life is determined as the time at which luminance of the LED is 50% compared to that of initial value at the typical LED current on condition of continuous operating at  $25 \pm 2^{\circ}\text{C}$ .
6. The LED bar power consumption shown above does not include loss of external driver. The used LED bar current is the LED typical current.

Min Power Consumption is calculated with  $P_{\text{Bar}} = V_{\text{s}}(\text{Min.}) \times I_{\text{s}}(\text{Typ.}) \times N_{\text{string}}$

Max Power Consumption is calculated with  $P_{\text{Bar}} = V_{\text{bar}}(\text{Max.}) \times I_{\text{s}}(\text{Typ.}) \times N_{\text{string}}$

**Product Specification**
**3-2. Interface connections**

LCD Connector(CN1): GT103-30S-HF15-E2500 or IS100-L300-C23 (UJU)  
 Mating connector : FI-X30H and FI-X30HL (JAE) or Equivalent

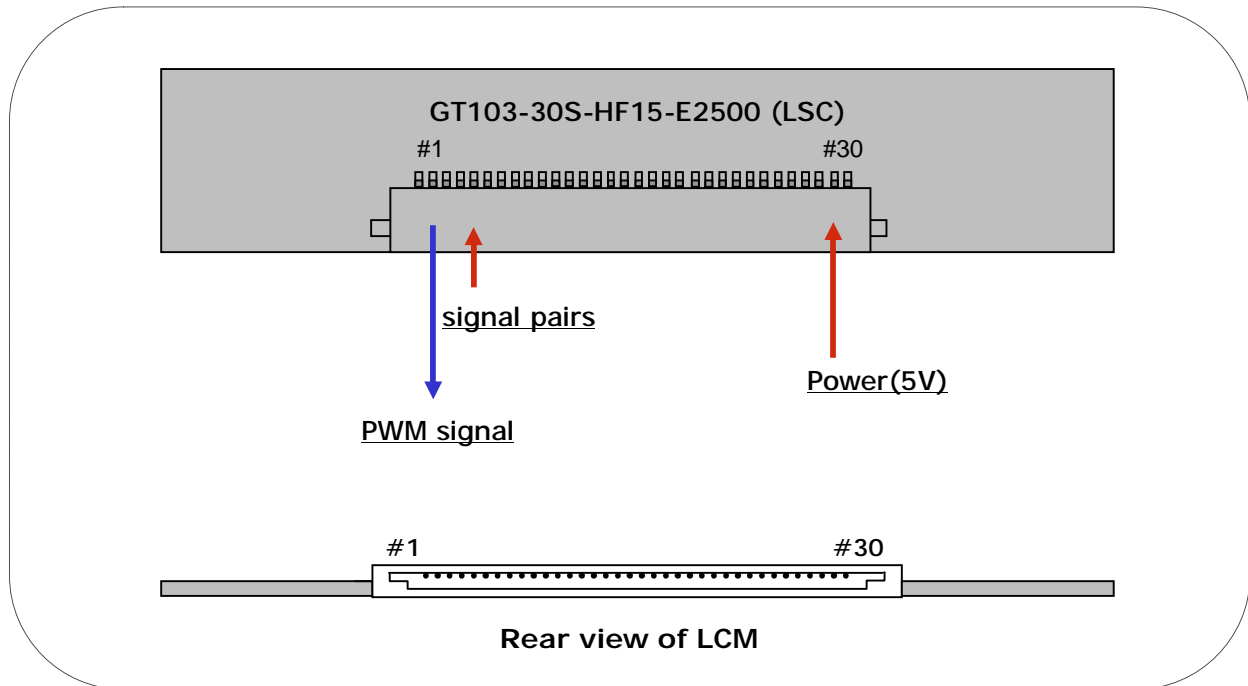
**Table 4. Module connector(CN1) pin configuration**

Pin No	Symbol	Description
1	NC	No Connection (For LCD internal use only.)
2	PWM_OUT	Reference signal for inverter control
3	NC	No Connection (For LCD internal use only.)
4	GND	Ground
5	RX0-	Minus signal of channel 0 (LVDS)
6	RX0+	Plus signal of channel 0 (LVDS)
7	GND	Ground
8	RX1-	Minus signal of channel 1 (LVDS)
9	RX1+	Plus signal of channel 1 (LVDS)
10	GND	Ground
11	RX2-	Minus signal of channel 2 (LVDS)
12	RX2+	Plus signal of channel 2 (LVDS)
13	GND	Ground
14	RXCLK-	Minus signal of clock channel (LVDS)
15	RXCLK+	Plus signal of clock channel (LVDS)
16	GND	Ground
17	RX3-	Minus signal of channel 3 (LVDS)
18	RX3+	Plus signal of channel 3 (LVDS)
19	GND	Ground
20	NC	No Connection (For LCD internal use only.)
21	NC	No Connection (For LCD internal use only.)
22	NC	No Connection (For LCD internal use only.)
23	GND	Ground
24	GND	Ground
25	GND	Ground
26	V <sub>LCD</sub>	Power Supply (5.0V)
27	V <sub>LCD</sub>	Power Supply (5.0V)
28	V <sub>LCD</sub>	Power Supply (5.0V)
29	V <sub>LCD</sub>	Power Supply (5.0V)
30	V <sub>LCD</sub>	Power Supply (5.0V)



Product Specification

FIG. 4 Connector diagram



Notes:

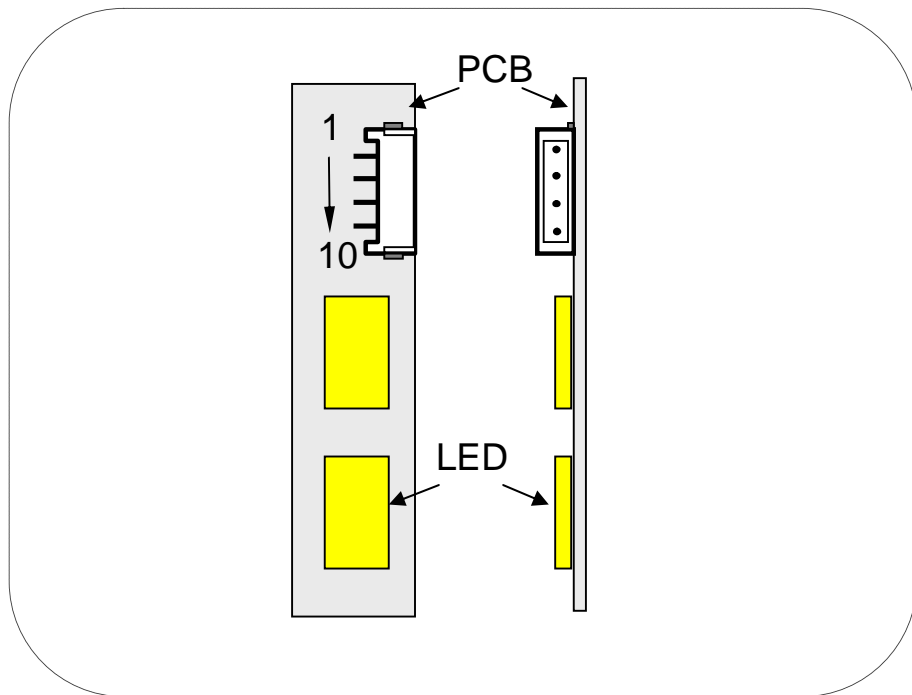
1. NC: No Connection.
2. All GND(ground) pins should be connected together and to Vss which should also be connected to the LCD's metal frame.
3. All  $V_{LCD}$  (power input) pins should be connected together.
4. Input Level of LVDS signal is based on the IEA 664 Standard.
5. PWM\_OUT is a reference signal for inverter control.  
This PWM signal is synchronized with vertical frequency.  
Its frequency is 3 times of vertical frequency, and its duty ratio is 50%.  
If the system don't use this pin, do not connect.

**Product Specification**

**Table 5. BACKLIGHT CONNECTOR PIN CONFIGURATION**

The LED interface connector is a model (10)FH-SM1-GAN (LF)-(SN) manufactured by JST.  
The mating connector part number are TBD or equivalent.  
The pin configuration for the connector is shown in the table below.

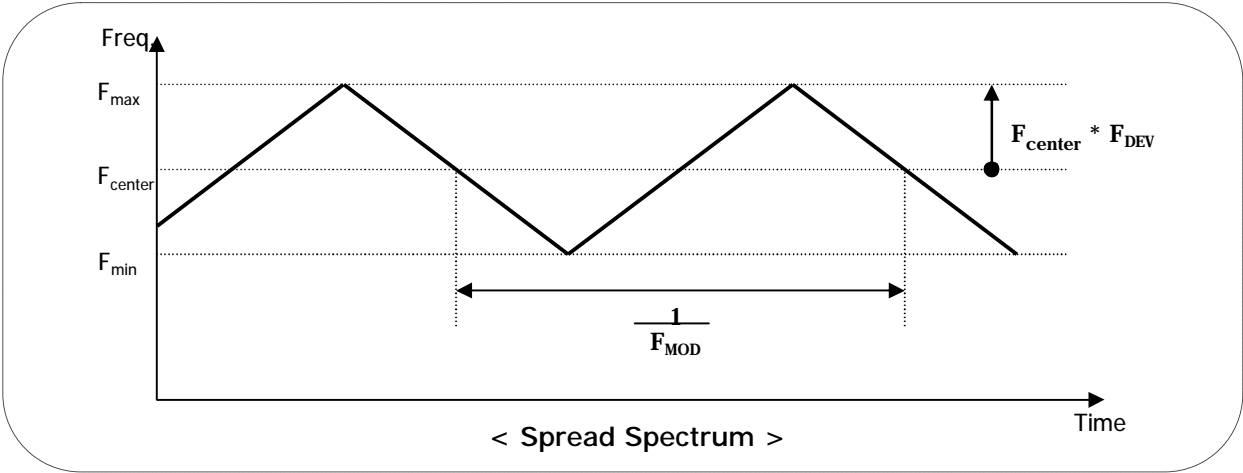
Pin	Symbol	Description	Notes
1	NC	No Connection	
2	NC	No Connection	
3	FB3	Channel3 Current Feedback	FB3
4	NC	No Connection	
5	VLED	LED Power Supply	
6	VLED	LED Power Supply	
7	FB1	Channel1 Current Feedback	FB1
8	FB2	Channel2 Current Feedback	FB2
9	NC	No Connection	
10	NC	No Connection	



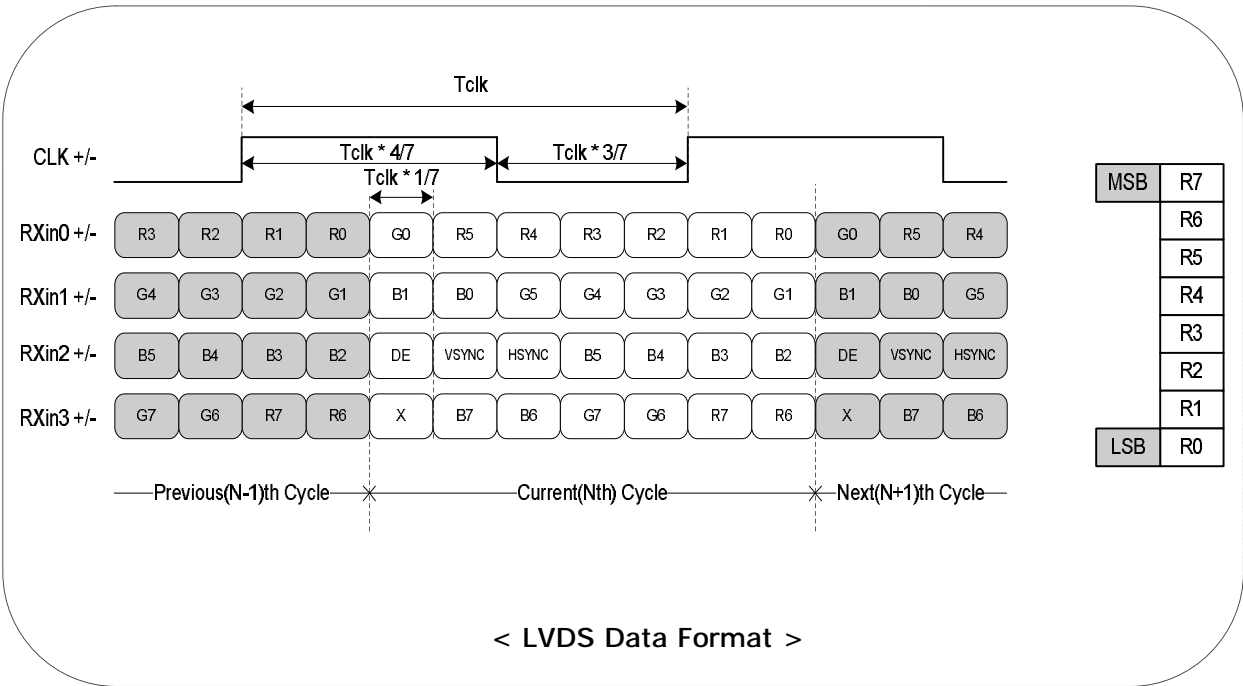
**[ Figure 5 ] Backlight connector diagram**



**Product Specification**



**3-3-3. LVDS Data format**



**Product Specification**
**Table 6. Required signal assignment for Flat Link(NS:DS90CF383) transmitter**

Pin #	Pin Name	Require Signal	Pin #	Pin Name	Require Signal
1	VCC	Power Supply for TTL Input	29	GND	Ground pin for TTL
2	D5	TTL Input (R7)	30	D26	TTL Input (DE)
3	D6	TTL Input (R5)	31	T <sub>x</sub> CLKIN	TTL Level clock Input
4	D7	TTL Input (G0)	32	PWR DWN	Power Down Input
5	GND	Ground pin for TTL	33	PLL GND	Ground pin for PLL
6	D8	TTL Input (G1)	34	PLL VCC	Power Supply for PLL
7	D9	TTL Input (G2)	35	PLL GND	Ground pin for PLL
8	D10	TTL Input (G6)	36	LVDS GND	Ground pin for LVDS
9	VCC	Power Supply for TTL Input	37	TxOUT3 +	Positive LVDS differential data output 3
10	D11	TTL Input (G7)	38	TxOUT3 -	Negative LVDS differential data output 3
11	D12	TTL Input (G3)	39	T <sub>x</sub> CLKOUT +	Positive LVDS differential clock output
12	D13	TTL Input (G4)	40	T <sub>x</sub> CLKOUT -	Negative LVDS differential clock output
13	GND	Ground pin for TTL	41	T <sub>x</sub> OUT2 +	Positive LVDS differential data output 2
14	D14	TTL Input (G5)	42	T <sub>x</sub> OUT2 -	Negative LVDS differential data output 2
15	D15	TTL Input (B0)	43	LVDS GND	Ground pin for LVDS
16	D16	TTL Input (B6)	44	LVDS VCC	Power Supply for LVDS
17	VCC	Power Supply for TTL Input	45	T <sub>x</sub> OUT1 +	Positive LVDS differential data output 1
18	D17	TTL Input (B7)	46	T <sub>x</sub> OUT1 -	Negative LVDS differential data output 1
19	D18	TTL Input (B1)	47	T <sub>x</sub> OUT0 +	Positive LVDS differential data output 0
20	D19	TTL Input (B2)	48	T <sub>x</sub> OUT0 -	Negative LVDS differential data output 0
21	GND	Ground pin for TTL Input	49	LVDS GND	Ground pin for LVDS
22	D20	TTL Input (B3)	50	D27	TTL Input (R6)
23	D21	TTL Input (B4)	51	D0	TTL Input (R0)
24	D22	TTL Input (B5)	52	D1	TTL Input (R1)
25	D23	TTL Input (RSVD)	53	GND	Ground pin for TTL
26	VCC	Power Supply for TTL Input	54	D2	TTL Input (R2)
27	D24	TTL Input (HSYNC)	55	D3	TTL Input (R3)
28	D25	TTL Input (VSYNC)	56	D4	TTL Input (R4)

Notes : Refer to LVDS Transmitter Data Sheet for detail descriptions.

## Product Specification

### 3-4. Signal timing specifications

This is the signal timing required at the input of the User connector. All of the interface signal timing should be satisfied with the following specifications for it's proper operation.

**Table 7. Timing table**

Parameter		Symbol	Min.	Typ.	Max.	Unit	Notes
D <sub>CLK</sub>	Period	t <sub>CLK</sub>	11.1	13.0	16.2	ns	
	Frequency	f <sub>CLK</sub>	61.6	77.0	90.0	MHz	
Horizontal	Horizontal Valid	t <sub>HV</sub>	1366	1366	1366	t <sub>CLK</sub>	
	H Period Total	t <sub>HP</sub>	1462	1608	2044		
	Hsync Frequency	f <sub>H</sub>	38.3	47.9	60.6		
Vertical	Vertical Valid	t <sub>VV</sub>	768	768	768	t <sub>HP</sub>	
	V Period Total	t <sub>VP</sub>	776	798	1108		
	Vsync Frequency	f <sub>V</sub>	48	60	76		
DE (Data Enable)	DE Setup Time	t <sub>SI</sub>	4	-	-	ns	For D <sub>CLK</sub>
	DE Hold Time	t <sub>HI</sub>	4	-	-		
Data	Data Setup Time	t <sub>SD</sub>	4	-	-	ns	For D <sub>CLK</sub>
	Data Hold Time	t <sub>HD</sub>	4	-	-		

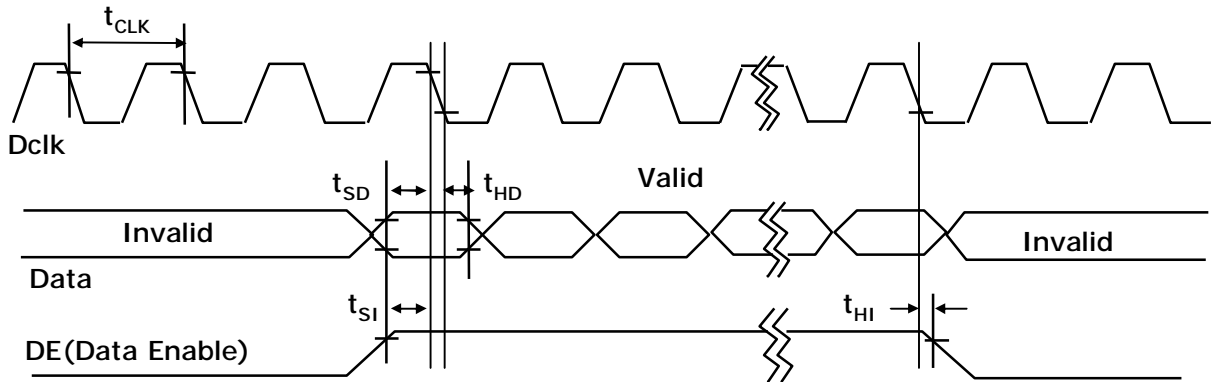
**Notes:**

1. LM185WH2-TLA1 is DE Only mode operation. The input of Hsync & Vsync signal does not have an effect on LCD normal operation.
2. The performance of the electro-optical characteristics may be influenced by variance of the vertical refresh rates.
3. Horizontal period should be even.

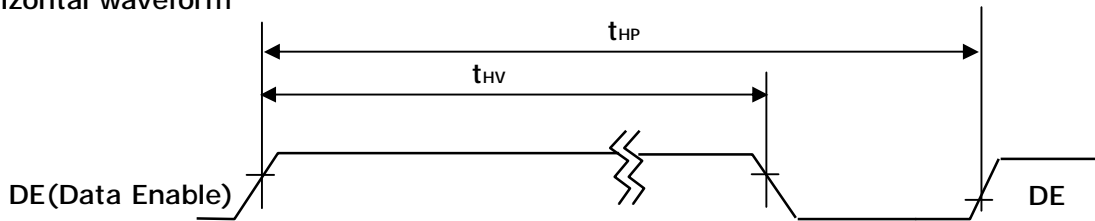
Product Specification

3-5. Signal timing waveforms

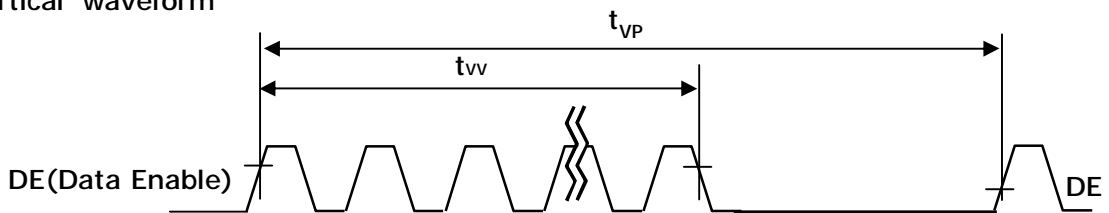
1. Dclk , DE, DATA waveforms



2. Horizontal waveform



3. Vertical waveform



**Product Specification**

**3-6. Color input data reference**

The brightness of each primary color (red, green and blue) is based on the 8bit gray scale data input for the color ; the higher the binary input, the brighter the color. The table below provides a reference for color versus data input.

**Table 8. Color data reference**

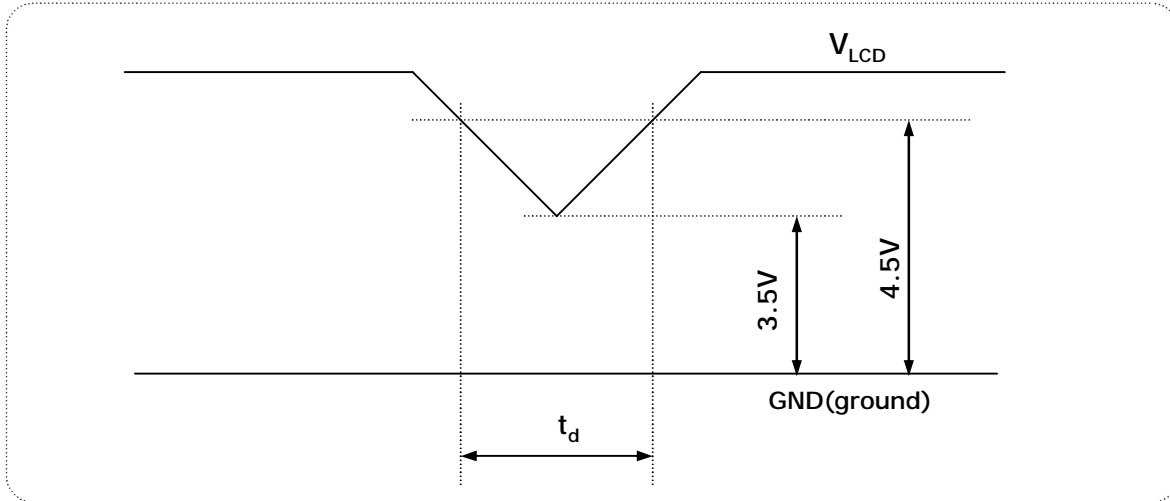
Color		Input Color Data																							
		Red								Green								Blue							
		MSB				LSB				MSB				LSB				MSB				LSB			
		R7	R6	R5	R4	R3	R2	R1	R0	G7	G6	G5	G4	G3	G2	G1	G0	B7	B6	B5	B4	B3	B2	B1	B0
Basic Color	Black	0	0	0	0	0	0	0	0	0	0	0	0	0	0	0	0	0	0	0	0	0	0	0	0
	Red (255)	1	1	1	1	1	1	1	1	0	0	0	0	0	0	0	0	0	0	0	0	0	0	0	0
	Green (255)	0	0	0	0	0	0	0	0	1	1	1	1	1	1	1	1	0	0	0	0	0	0	0	0
	Blue (255)	0	0	0	0	0	0	0	0	0	0	0	0	0	0	0	0	1	1	1	1	1	1	1	1
	Cyan	0	0	0	0	0	0	0	0	1	1	1	1	1	1	1	1	1	1	1	1	1	1	1	1
	Magenta	1	1	1	1	1	1	1	1	0	0	0	0	0	0	0	0	1	1	1	1	1	1	1	1
	Yellow	1	1	1	1	1	1	1	1	1	1	1	1	1	1	1	1	0	0	0	0	0	0	0	0
	White	1	1	1	1	1	1	1	1	1	1	1	1	1	1	1	1	1	1	1	1	1	1	1	1
Red	Red(000) Dark	0	0	0	0	0	0	0	0	0	0	0	0	0	0	0	0	0	0	0	0	0	0	0	0
	Red(001)	0	0	0	0	0	0	0	1	0	0	0	0	0	0	0	0	0	0	0	0	0	0	0	0
	Red(002)	0	0	0	0	0	0	1	0	0	0	0	0	0	0	0	0	0	0	0	0	0	0	0	0
	-----	-	-	-	-	-	-	-	-	-	-	-	-	-	-	-	-	-	-	-	-	-	-	-	-
	-----	-	-	-	-	-	-	-	-	-	-	-	-	-	-	-	-	-	-	-	-	-	-	-	-
	Red(253)	1	1	1	1	1	1	0	1	0	0	0	0	0	0	0	0	0	0	0	0	0	0	0	0
	Red(254)	1	1	1	1	1	1	1	0	0	0	0	0	0	0	0	0	0	0	0	0	0	0	0	0
	Red(255) Bright	1	1	1	1	1	1	1	1	0	0	0	0	0	0	0	0	0	0	0	0	0	0	0	0
Green	Green(000) Dark	0	0	0	0	0	0	0	0	0	0	0	0	0	0	0	0	0	0	0	0	0	0	0	0
	Green(001)	0	0	0	0	0	0	0	0	0	0	0	0	0	0	0	1	0	0	0	0	0	0	0	0
	Green(002)	0	0	0	0	0	0	0	0	0	0	0	0	0	0	1	0	0	0	0	0	0	0	0	0
	-----	-	-	-	-	-	-	-	-	-	-	-	-	-	-	-	-	-	-	-	-	-	-	-	-
	-----	-	-	-	-	-	-	-	-	-	-	-	-	-	-	-	-	-	-	-	-	-	-	-	-
	Green(253)	0	0	0	0	0	0	0	0	1	1	1	1	1	1	0	1	0	0	0	0	0	0	0	0
	Green(254)	0	0	0	0	0	0	0	0	1	1	1	1	1	1	1	0	0	0	0	0	0	0	0	0
	Green(255) Bright	0	0	0	0	0	0	0	0	1	1	1	1	1	1	1	1	0	0	0	0	0	0	0	0
Blue	Blue(000) Dark	0	0	0	0	0	0	0	0	0	0	0	0	0	0	0	0	0	0	0	0	0	0	0	0
	Blue(001)	0	0	0	0	0	0	0	0	0	0	0	0	0	0	0	0	0	0	0	0	0	0	0	1
	Blue(002)	0	0	0	0	0	0	0	0	0	0	0	0	0	0	0	0	0	0	0	0	0	0	1	0
	-----	-	-	-	-	-	-	-	-	-	-	-	-	-	-	-	-	-	-	-	-	-	-	-	-
	-----	-	-	-	-	-	-	-	-	-	-	-	-	-	-	-	-	-	-	-	-	-	-	-	-
	Blue(253)	0	0	0	0	0	0	0	0	0	0	0	0	0	0	0	1	1	1	1	1	1	1	0	1
	Blue(254)	0	0	0	0	0	0	0	0	0	0	0	0	0	0	0	1	1	1	1	1	1	1	1	0
	Blue(255) Bright	0	0	0	0	0	0	0	0	0	0	0	0	0	0	0	1	1	1	1	1	1	1	1	1





3-8.  $V_{LCD}$  Power dip condition

FIG. 6 Power dip condition



1) Dip condition

$$3.5V \leq V_{LCD} < 4.5V, t_d \leq 20ms$$

2)  $V_{LCD} < 3.5V$

$V_{LCD}$ -dip conditions should also follow the Power On/Off conditions for supply voltage.

**Product Specification**
**4. Optical specification**

Optical characteristics are determined after the unit has been 'ON' for 30 minutes in a dark environment at 25°C.

**Table 10. Optical characteristics**

 Ta= 25°C, V<sub>LCD</sub>=5.0V, fV=60Hz f<sub>CLK</sub>= 77.0MHz

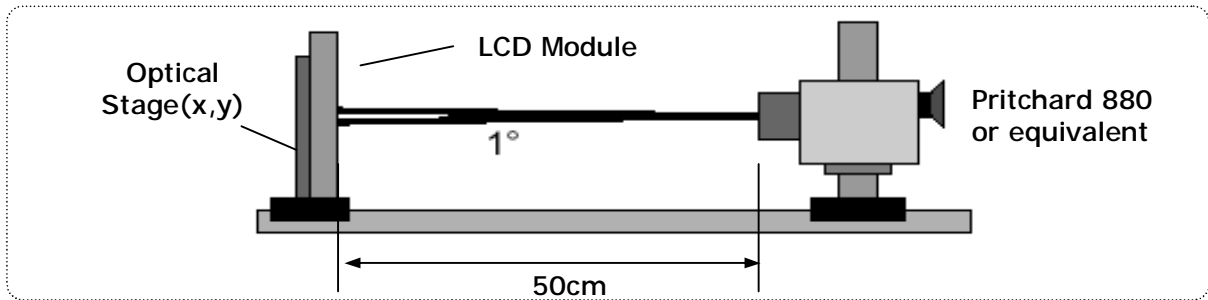
Parameter	Symbol	Values			Units	Notes
		Min	Typ	Max		
Contrast Ratio	CR	600	1000	-		1 (PR-880)
Surface Luminance, white	L <sub>WH</sub>	200	250	-	cd/m <sup>2</sup>	2 (PR-880)
Luminance Variation	$\delta_{\text{WHITE}}$ 9P	75			%	3 (PR-880)
Response Time	Rise Time	Tr <sub>R</sub>	1.1	2.6	ms	4 (PR-880)
	Decay Time	Tr <sub>D</sub>	3.9	7.4	ms	
Color Coordinates [CIE1931]	RED	Rx	Typ -0.03	0.629	Typ +0.03	(PR-650)
		Ry		0.345		
	GREEN	Gx		0.341		
		Gy		0.623		
	BLUE	Bx		0.156		
		By		0.046		
	WHITE	Wx		0.313		
Wy		0.329				
Viewing Angle (CR>5)						5 (PR-880)
	x axis, right( $\phi=0^\circ$ )	$\theta_r$	75	88	Degree	
	x axis, left ( $\phi=180^\circ$ )	$\theta_l$	75	88		
	y axis, up ( $\phi=90^\circ$ )	$\theta_u$	70	85		
	y axis, down ( $\phi=270^\circ$ )	$\theta_d$	70	85		
Viewing Angle (CR>10)						5 (PR-880)
	x axis, right( $\phi=0^\circ$ )	$\theta_r$	70	85	Degree	
	x axis, left ( $\phi=180^\circ$ )	$\theta_l$	70	85		
	y axis, up ( $\phi=90^\circ$ )	$\theta_u$	60	75		
	y axis, down ( $\phi=270^\circ$ )	$\theta_d$	70	85		
Crosstalk				1.5	%	(PR880)
Luminance uniformity - Angular dependence (TCO 5.0)	LR	-	-	1.73		6 (PR880)
Color grayscale linearity	$\Delta u'v'$		0.018			8 (PR-650)

**Product Specification**

The values specified are at an approximate distance 50cm from the LCD surface at a viewing angle of  $\Phi$  and  $\theta$  equal to  $0^\circ$ .

FIG. 7 presents additional information concerning the measurement equipment and method.

**FIG. 7 Optical characteristic measurement equipment and method**



Notes :

1. Contrast ratio(CR) is defined mathematically as : It is measured at center point(1)

$$\text{Contrast ratio} = \frac{\text{Surface luminance with all white pixels}}{\text{Surface luminance with all black pixels}}$$

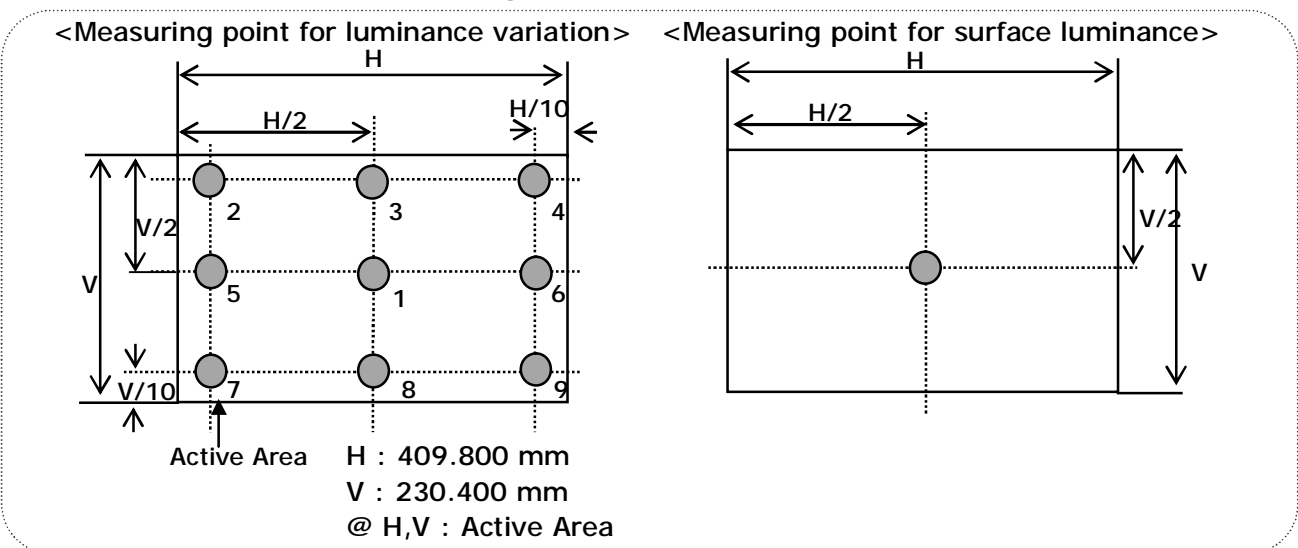
2. Surface luminance is the luminance value at center 1 point(1) across the LCD surface 50cm from the surface with all pixels displaying white. For more information see FIG 8.

3. The variation in surface luminance ,  $\delta_{\text{WHITE}}$  is defined as

$$\delta_{\text{WHITE}} = \frac{\text{Minimum (P1,P2 .....P9)}}{\text{Maximum (P1,P2 .....P9)}} * 100$$

For more information see Figure 8.

**FIG. 8 Luminance measuring point**



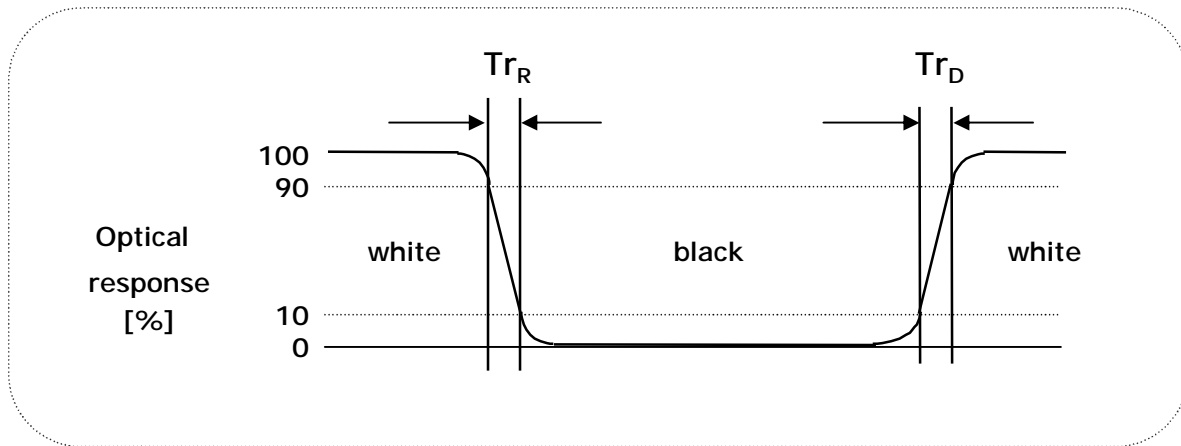
Product Specification

Notes :

- Response time is the time required for the display to transition from black to white (Decay Time,  $Tr_D$ ) and from white to black (Rise Time,  $Tr_R$ )  
The sampling rate is 2,500 sample/sec. For additional information see FIG. 9.

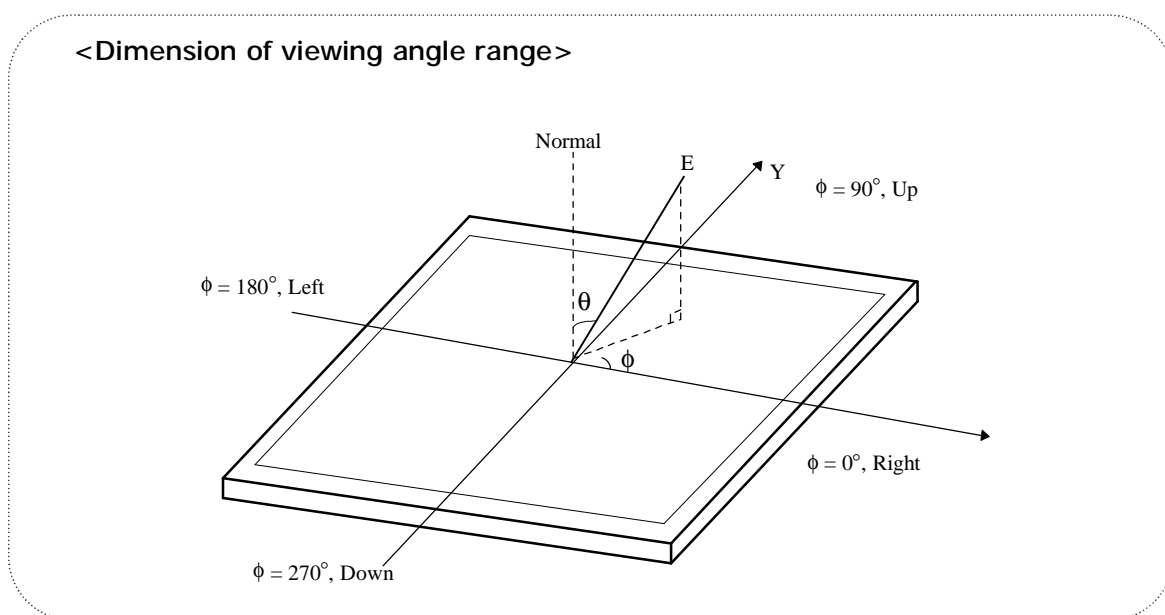
The response time is defined as the following figure and shall be measured by switching the input signal for each gray to gray.

**FIG. 9 Response time**



- Viewing angle is the angle at which the contrast ratio is greater than 10 or 5. The angles are determined for the horizontal or x axis and the vertical or y axis with respect to the z axis which is normal to the LCD surface. For more information see FIG. 10 .

**FIG. 10 Viewing angle**





**Product Specification**

**Notes :**

8. Color grayscale linearity ,  $\Delta u'v'$  is defined as

$$\sqrt{(u'_{A} - u'_{B})^2 + (v'_{A} - v'_{B})^2}$$

Where indices A and B are the two gray levels found to have the largest color differences between them.

i.e. get the largest  $\Delta u'$  and  $\Delta v'$  of each 6pairs of  $u'$  and  $v'$  and calculate  $\Delta u'v'$  .

**-Test pattern :**

100% full white pattern with a test pattern as shown FIG.12  
Squares of 40mm by 40mm in size, filled with 255, 225, 195, 165, 135 and 105 grayscale steps should be arranged in the center of the screen.

**-Test method :**

**First gray step :**

Move a square of 255 gray level should be moved into the center of the screen and measure luminance and  $u'$  and  $v'$  coordinates.

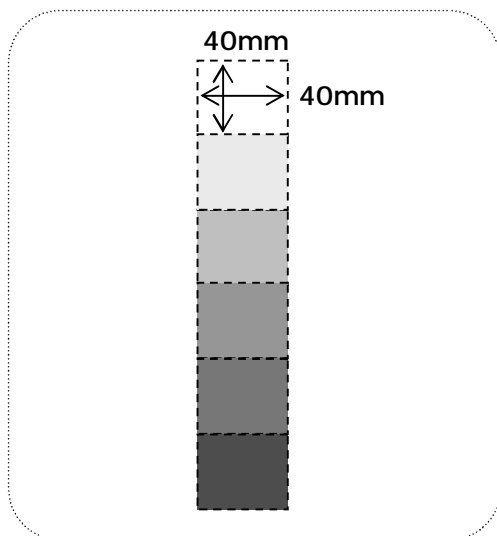
**Next gray step :**

Move a 255 gray square into the center and measure both luminance and  $u'$  and  $v'$  coordinates.

The same procedure shall then be repeated for gray steps 195, 165, 135 and 105.

9. TCO Display 5.0 Compliance

**FIG. 12 Color grayscale linearity**



**Product Specification**

## 5. Mechanical characteristics

The contents provide general mechanical characteristics. In addition the figures in the next page are detailed mechanical drawing of the LCD.

**Table 12. Mechanical characteristics**

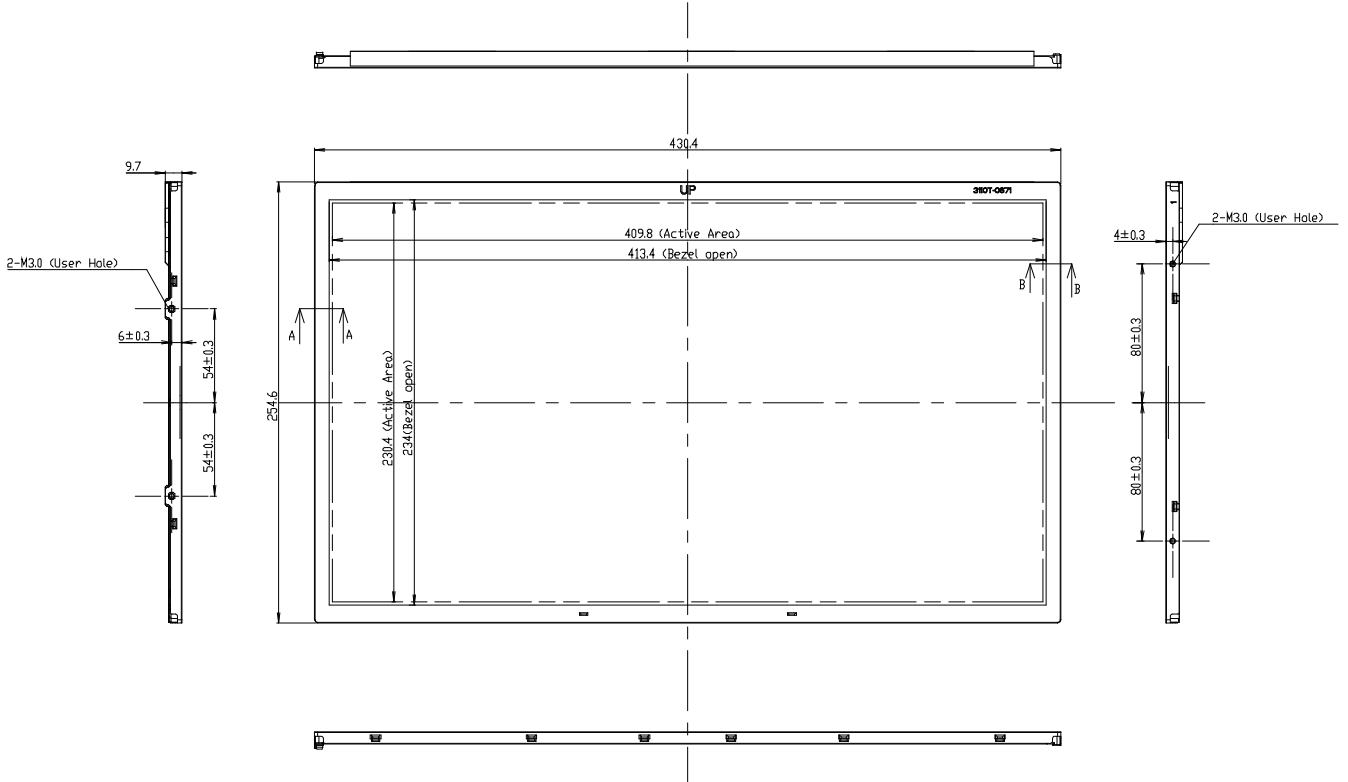
Outline dimension	Horizontal	430.4 mm
	Vertical	254.6 mm
	Depth	9.70 mm
Bezel area	Horizontal	413.4 mm
	Vertical	234.0 mm
Active display area	Horizontal	409.800 mm
	Vertical	230.400 mm
Weight	1,000g (Typ.) 1,050g (Max)	
Surface treatment	Hard coating(3H) Anti-glare treatment of the front polarizer	

Notes : Please refer to a mechanic drawing in terms of tolerance at the next page.

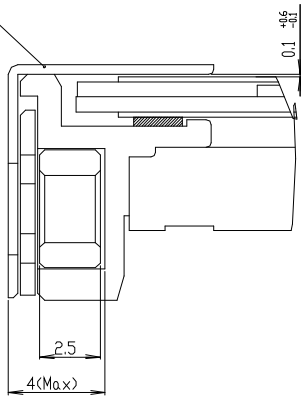


Product Specification

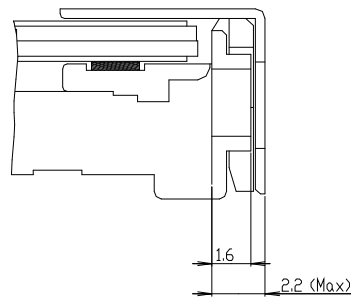
<FRONT VIEW>



Case Top t=0.4



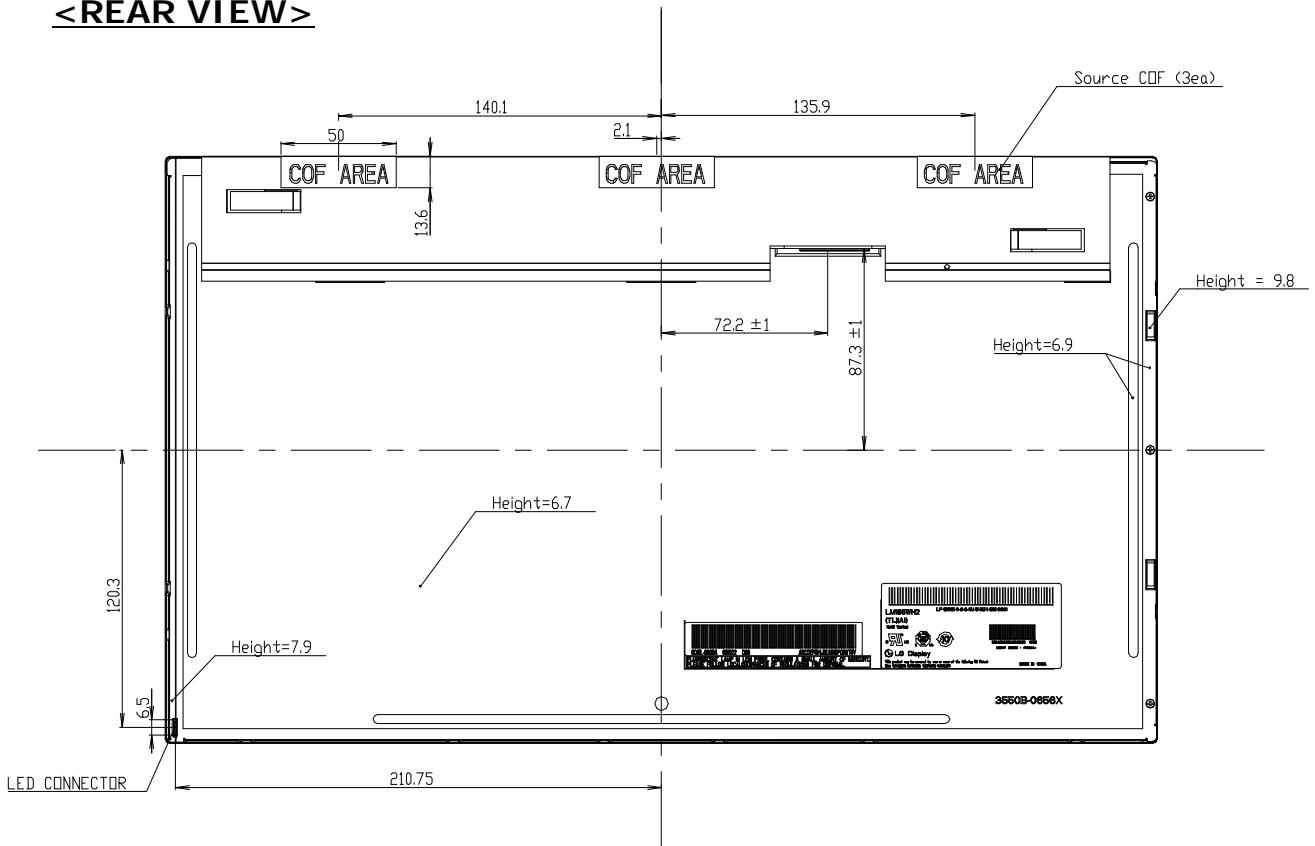
Section A-A  
Scale 5/1



Section B-B  
Scale 5/1

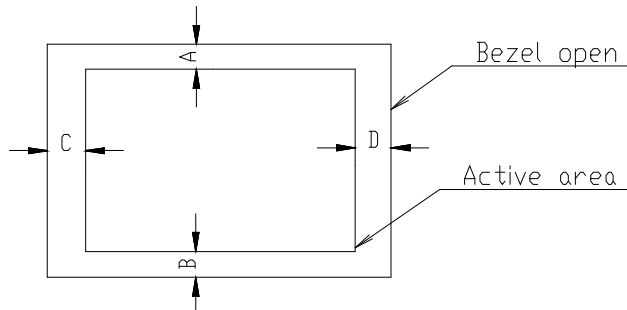
Product Specification

<REAR VIEW>



Notes

1. Backlight has 1 LED Array Ass'y
2. I/F Connector Specification : GT103-30S-H23-D (LGM) or Equivalent.
3. LED Connector Specification : FH-SM1-GAN\_10PIN (JST)
4. Torque of user hole : 3.0~4.0kgf-cm
5. Tilt and partial disposition tolerance of display area as following
  - (1) Y-Direction : IA-BI 0 ≤ 1.0
  - (2) X-Direction : IC-DI 0 ≤ 1.0



6. Unspecified tolerances to be ±0.5mm
7. The COF area is weak & sensitive, So, please don't press the COF area.

**Product Specification**
**6. Reliability**
**Table 13. Environment test conditions**

No	Test Item	Condition
1	High temperature storage test	Ta= 60°C 240hrs
2	Low temperature storage test	Ta= -20°C 240hrs
3	High temperature operation test	Ta= 50°C 50%RH 240hrs
4	Low temperature operation test	Ta= 0°C 240hrs
5	Vibration test (non-operating)	Wave form : random Vibration level : 1.0GRMS Bandwidth : 10-300Hz Duration : X,Y,Z, 30 min One time each direction
6	Shock test (non-operating)	Shock level : 120G Waveform : half sine wave, 2msec Direction : ±X, ±Y, ±Z One time each direction
7	Altitude operating storage / shipment	0 - 10,000 feet(3,048m) 0 - 40,000 feet(12,192m)

{ Result evaluation criteria }

There should be no change which might affect the practical display function when the display quality test is conducted under normal operating condition.

## Product Specification

### 7. International standards

#### 7-1. Safety

- a) UL 60065, Seventh Edition, Underwriters Laboratories Inc.  
Audio, Video and Similar Electronic Apparatus - Safety Requirements.
- b) CAN/CSA C22.2 No.60065:03, Canadian Standards Association.  
Audio, Video and Similar Electronic Apparatus - Safety Requirements.
- c) EN 60065:2002 + A11:2008, European Committee for Electro technical Standardization (CENELEC).  
Audio, Video and Similar Electronic Apparatus - Safety Requirements.
- d) IEC 60065:2005 + A1:2005, The International Electro technical Commission (IEC).  
Audio, Video and Similar Electronic Apparatus - Safety Requirements.  
(Including report of IEC60825-1:2001 clause 8 and clause 9)

#### Notes

- 1. Laser (LED Backlight) Information (SEOUL SEMICONDUCTOR, EWT719PA)

Class 1M LED Product  
 IEC60825-1 : 2001  
 Embedded LED Power (Class1M)  
 Power : 4.3275 mW (Max.)  
 Wavelength : 444 (nm)  
 Width : 0.5 x 0.5 (mm)

- 2. Caution  
: LED inside.  
Class 1M laser (LEDs) radiation when open.  
Do not open while operating.

#### 7-2. EMC

- a) ANSI C63.4 "Methods of Measurement of Radio-Noise Emissions from Low-Voltage Electrical and Electrical Equipment in the Range of 9kHz to 40GHz." American National Standards Institute(ANSI), 1992
- b) C.I.S.P.R "Limits and Methods of Measurement of Radio Interface Characteristics of Information Technology Equipment." International Special Committee on Radio Interference.
- c) EN 55022 "Limits and Methods of Measurement of Radio Interface Characteristics of Information Technology Equipment." European Committee for Electro-technical Standardization.(CENELEC), 1998 ( Including A1: 2000 )

#### 7-3. Environment

- a) RoHS, Directive 2002/95/EC of the European Parliament and of the council of 27 January 2003

## Product Specification

### 8. Packing

#### 8-1. Designation of lot mark

##### a) Lot mark

A	B	C	D	E	F	G	H	I	J	K	L	M
---	---	---	---	---	---	---	---	---	---	---	---	---

A,B,C : Size (Inch)  
 E : Month

D : Year  
 F ~ M : Serial No.

##### Note:

##### 1. Year

Year	2001	2002	2003	2004	2005	2006	2007	2008	2009	2010
Mark	1	2	3	4	5	6	7	8	9	0

##### 2. Month

Month	Jan	Feb	Mar	Apr	May	Jun	Jul	Aug	Sep	Oct	Nov	Dec
Mark	1	2	3	4	5	6	7	8	9	A	B	C

##### b) Location of lot mark

Serial No. is printed on the label. The label is attached to the backside of the LCD module.  
 This is subject to change without prior notice.

#### 8-2. Packing form

- a) Package quantity in one box : 16 pcs
- b) Box size : 365 mm X 315 mm X 492 mm

## Product Specification

### 9. Precautions

Please pay attention to the followings when you use this TFT LCD module.

#### 9-1. Mounting Precautions

- (1) You must mount a module using holes arranged in four corners or four sides.
- (2) You should consider the mounting structure so that uneven force (ex. Twisted stress) is not applied to the Module. And the case on which a module is mounted should have sufficient strength so that external force is not transmitted directly to the module.
- (3) Please attach the surface transparent protective plate to the surface in order to protect the polarizer. Transparent protective plate should have sufficient strength in order to the resist external force.
- (4) You should adopt radiation structure to satisfy the temperature specification.
- (5) Acetic acid type and chlorine type materials for the cover case are not desirable because the former generates corrosive gas of attacking the polarizer at high temperature and the latter causes circuit break by electro-chemical reaction.
- (6) Do not touch, push or rub the exposed polarizers with glass, tweezers or anything harder than HB pencil lead. And please do not rub with dust clothes with chemical treatment. Do not touch the surface of polarizer for bare hand or greasy cloth.  
(Some cosmetics are detrimental to the polarizer.)
- (7) When the surface becomes dusty, please wipe gently with absorbent cotton or other soft materials like chamois soaks with petroleum benzene. Normal-hexane is recommended for cleaning the adhesives used to attach front / rear polarizers. Do not use acetone, toluene and alcohol because they cause chemical damage to the polarizer.
- (8) Wipe off saliva or water drops as soon as possible. Their long time contact with polarizer causes deformations and color fading.
- (9) Do not open the case because inside circuits do not have sufficient strength.

#### 9-2. Operating precautions

- (1) The spike noise causes the mis-operation of circuits. It should be lower than following voltage :  $V = \pm 200\text{mV}$  (Over and under shoot voltage)
- (2) Response time depends on the temperature. (In lower temperature, it becomes longer.)
- (3) Brightness depends on the temperature. (In lower temperature, it becomes lower.)  
And in lower temperature, response time (required time that brightness is stable after turned on) becomes longer.
- (4) Be careful for condensation at sudden temperature change. Condensation makes damage to polarizer or electrical contacted parts. And after fading condensation, smear or spot will occur.
- (5) When fixed patterns are displayed for a long time, remnant image is likely to occur.
- (6) Module has high frequency circuits. Sufficient suppression to the electromagnetic interference shall be done by system manufacturers. Grounding and shielding methods may be important to minimized the interference.
- (7) Please do not give any mechanical and/or acoustical impact to LCM. Otherwise, LCM can not be operated its full characteristics perfectly.
- (8) A screw which is fastened up the steels should be a machine screw (if not, it causes metal foreign material and deal LCM a fatal blow)
- (9) Please do not set LCD on its edge.

## Product Specification

### 9-3. Electrostatic discharge control

Since a module is composed of electronic circuits, it is not strong to electrostatic discharge. Make certain that treatment persons are connected to ground through wrist band etc. And don't touch interface pin directly.

### 9-4. Precautions for strong light exposure

Strong light exposure causes degradation of polarizer and color filter.

### 9-5. Storage

When storing modules as spares for a long time, the following precautions are necessary.

- (1) Store them in a dark place. Do not expose the module to sunlight or fluorescent light. Keep the temperature between 5°C and 35°C at normal humidity.
- (2) The polarizer surface should not come in contact with any other object.  
It is recommended that they be stored in the container in which they were shipped.

### 9-6. Handling precautions for protection film

- (1) The protection film is attached to the bezel with a small masking tape.  
When the protection film is peeled off, static electricity is generated between the film and polarizer. This should be peeled off slowly and carefully by people who are electrically grounded and with well ion-blown equipment or in such a condition, etc.
- (2) When the module with protection film attached is stored for a long time, sometimes there remains a very small amount of glue still on the bezel after the protection film is peeled off.
- (3) You can remove the glue easily. When the glue remains on the bezel surface or its vestige is recognized, please wipe them off with absorbent cotton waste or other soft material like chamois soaked with normal-hexane.