

Divider Unit for COM-8Ch / 4Ch Board

CCU-78F/25M



* Specifications, color and design of the products are subject to change without notice.

Features

Provides a simple connection between the interface board and external devices.

Can be attached to a DIN rail.

If an external power supply is connected, the unit can output a power supply from the 25-pin D-SUB connectors.

This product operates as a terminal unit for connecting a CONTEC interface board mounted in your computer to external devices.

Note: To connect a board to the accessory, you need the separately priced option cable.

Specification

Item	Specifications
Connector used	78 pin : 78-pin D-SUB connector [Female] 78M/DB-CNNR [mfd. by ACTIVE] equivalent 25 pin : 25-pin D-SUB connector [Male] 202AE25MSTIGA3 [mfd. by COXOC] equivalent
External power supply connector	ML-40S1BYF-2P [mfd. by Sato Parts] equivalent
External power supply voltage (Max.)	±12VDC
External power supply current (Max.)	1.6A(total for all 8 ch)
Compatible rails	DIN rail
Operating Conditions	0 - 50°C, 20 - 90%RH(No condensation)
Dimensions (mm)	240.0(W) x 115.0(D) x 17.4(H)
Weight	700g

Packing List

- Body...1
- Hangers...2
- User's Guide...1

⚠ CAUTION

The option cable is not appended to the interface board and this product. Cable differs according to board used. Be sure to check the manual or visit the CONTEC's Web site to buy an appropriate one.

A DIN rail adapter (DIN-ADP1) must be purchased separately if you wish to mount the unit on a DIN rail.

Compatible Interface Boards

- COM-8(PCI)H
- COM-4(PCI)H

Cable & Connector

Cable(Optional)

- COM-8ch board connection cable for CCU-78F/25M : RSS-78M (2m)
- COM-4ch board connection cable for CCU-78F/25M : RSS-78M/37M (2m)
- RS-232C D-SUB 25-pin cross cable(1.8m) : RSC-25F
- RS-232C Connector conversion straight cable (25F to 9M, 1.8m) : RSS-25F/9M
- RS-232C Connector conversion straight cable (25M to 9F, 1.8m) : RSS-25M/9F
- RS-232C Connect or conversion cross cable (25F to 9F, 1.8m) : RSC-25F/9F

⚠ CAUTION

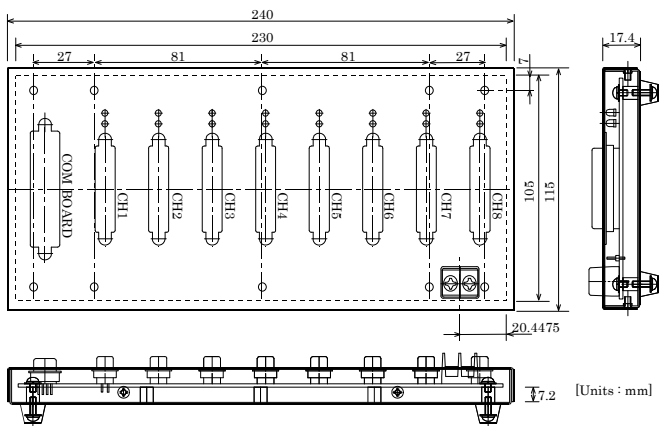
Only CH1 - CH4 can be used in the case of an RSS-78M/37M. CH5 - CH8 cannot be used

Accessories

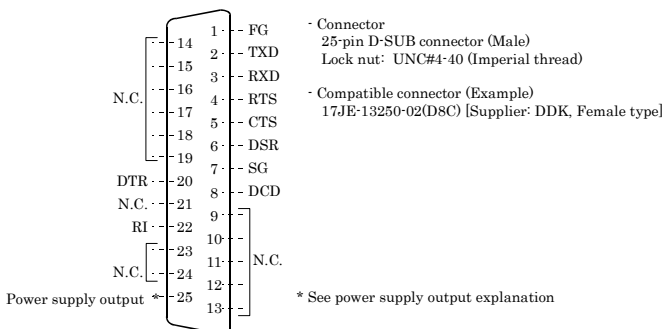
Accessories (Option)

- DIN rail adapter : D IN-ADP1

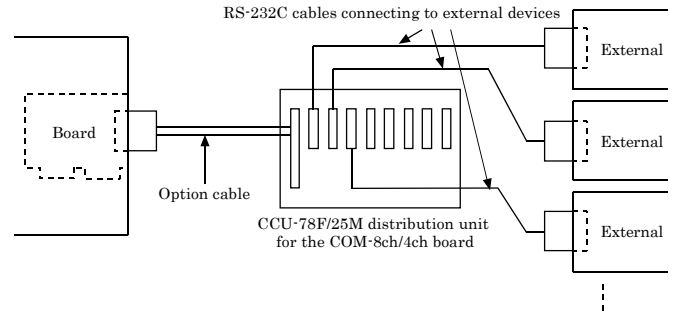
External View and Dimensions



Interface Connector Pin Assignment



Connection Procedure



Power Supply Output

By connecting an external power supply, the power supply can be output from pin 25 of the 25-pin D-SUB connector. The external power supply can be in the range -12V - +12V (1.6A (Max.) total for 8ch). Jumper settings are required on the distribution unit.

Set the jumper to the SHORT position for those connectors from which you wish to output the power supply. (The factory default is shorted to N.C.)

