

PCI Bus Expansion Chassis
Short size, 4-Slots, BLACK
ECH-PCI-CE-H4B



* Specifications, color and design of the products are subject to change without notice.

Features

PCI bus (5V/32bit 33MHz) slots can be added to your PC.
Four PCI bus (5V/32bit 33MHz) slots can be added.
This expansion chassis is connected to a PC using an optional expansion adapter.

Short-type PCI bus boards can be connected.
You can connect four short-type [176.5 (L) x 107 (H) mm] PCI boards.

ON/OFF control of the chassis can be linked to that of your PC.
You can link the ON/OFF control of the expansion chassis to that of your PC.

The compact design of the cabinet with a built-in cooling fan enables space-saving system construction.
As the cabinet contains a built-in cooling fan, achieving a compact design, you can build a system even in a limited space next to your PC.
The product is also bundled with an easy-to-carry AC adapter.

Expansion adapter (Option)

Expansion Adapter for Express Card Slot : EAD-CE-EC
Expansion Adapter for PCI Express Slot : EAD-CE-LPE

Check the CONTEC's Web site for more information on these expansion adapters.

Combinations of Expansion Adapters and Expansion Chassis

The expansion adapters and expansion chassis can be used in the following combinations:

Expansion adapter	Expansion chassis ECH-PCI-CE								
	-H2B	-H2C	-F2B	-H4B	-F4B	-H4D	-H4A	-H7A	-H13A
EAD-CE-EC	○	○	○	○	○	○	○	×	×
EAD-CE-LPE	○	○	○	○	○	○	○	○	○

Expansion adapter	Expansion chassis ECH-PCI-CE2		Expansion chassis ECH-PE-CE			Expansion chassis ECH-PE-CE2
	-H4A	-H7A	-H2B	-F2B	-F4A	-F4A
EAD-CE-EC	○	×	○	○	×	×
EAD-CE-LPE	○	○	○	○	○	○

This product is an expansion chassis that adds PCI bus slots to a PC.

It can add PCI bus slots by connecting an optional expansion adapter (EAD-CE-LPE, EAD-CE-EC). The board that can be mounted is short-type [176.5 (L) x 107 (H) mm] PCI board. You can link the ON/OFF control of the chassis to that of your PC. As the cabinet contains a built-in cooling fan, achieving a compact design, you can build a system even in a limited space next to your PC. The product is also bundled with an easy-to-carry AC adapter.

Specifications

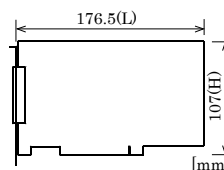
Specification

Item	ECH-PCI-CE-H4B	
Compatible bus	PCI Local Bus Specification Rev2.3 (+5Vtype)	
Address space	32bit memory address, I/O address	
Interrupt level	INTA - INTD	
Bus operating clock	33MHz (Max.)	
Number of user-available slots	4 slots (short size)	
Acceptable board sizes (mm)	176.5(L) x 107(H)	
Power supply		
Expansion slot supplied power (The output current must not exceed the value on the right)	+5VDC	7A (Max) *1
	+3.3VDC	3A (Max) *1
	+12VDC	1.5A (Max)
	-12VDC	0.3A (Max)
Maximum total power capacity	60W	
AC input line voltage*1	100 - 240VAC	
AC line frequency	47 - 63Hz	
AC power input current	2A(90VAC)	
Outside dimensions(mm)	112.0(W) x 144.0(H) x 222.0(L) (without rubber feet)	
Weight	1.5 kg	
Outside dimensions of AC adapter(mm)	85(W) x 50(H) x 155(L)	
Cable length of AC adapter	1.2m	
AC cable	1.8m with 2P ground	
Weight of AC adapter	0.9 kg	

*1 The sum of +5VDC and +3.3VDC must not exceed 35W.

*2 AC input line voltage range: 90 - 264VAC

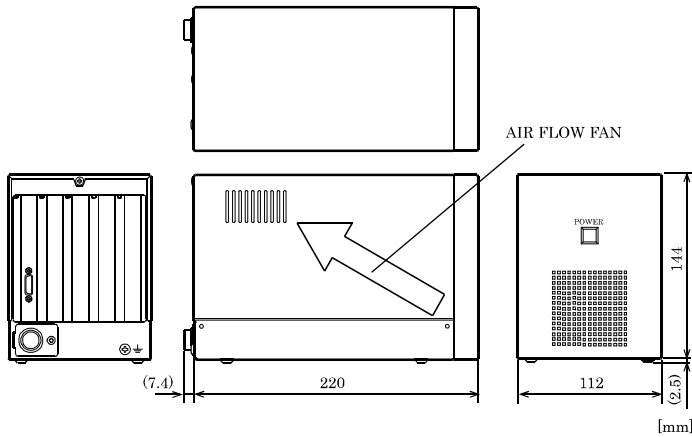
Outside dimensions of acceptable board (Max.)



Environmental specifications

Item	Specification
Operating temperature	0 - 50°C
Operating humidity	20 - 80%RH(No condensation)
Storage temperature	0 - 60°C
Storage humidity	10 - 90%RH(No condensation)
Floating dust particles	Not to be excessive
Corrosive gases	None
Standard	VCCI Class A, FCC Class A, CE Marking (EMC Directive Class A), RoHS Directive

Physical Dimensions



Packing List

- Expansion chassis [ECH-PCI-CE-H4B]...1
- AC adapter ...1
- Power cable ...1
- Slot cover ...4
- Board fixed screw ...4
- First step guide...1
- Warranty Certificate ...1
- Serial Number Label ...1

Restrictions

This product is used in a combination with the optional expansion adapter. The following restrictions apply to the situation when the expansion adapter is connected to the expansion chassis.

This product has restrictions on the types of PCs and boards that can be used. Be sure to check the following restrictions before use.

< Restrictions of PC >

This product uses the PCI-to-PCI Bridge to extend the bus. The PCI boards plugged in PCI slots in this product are recognized if the PCI-to-PCI bridge is recognized by the BIOS in the PC used. Ask the PC vendor for whether the BIOS recognizes the PCI-to-PCI bridge.

< Restrictions on transfer rate >

When the expansion chassis accommodates a board that performs high-speed transfer such as bus mastering, the overall transfer rate may be lower than that of PCI bus slots in the main unit of a desktop PC. This is caused by bus extension by the PCI-to-PCI Bridge. The transfer rate may vary with the system configuration and the type of the PC.

< Restrictions of PCI board >

None of the following boards can be plugged into any expansion slot in this product.

- Video display board (VGA board)
- Board to connect a PCI bus expansion chassis
- Board explicitly stated not to be used with the PCI-to-PCI Bridge
- Some boards, even PCI-compliant ones, may not work depending on their specifications