

COM-8ch Board Optional Cable for CCU-78F/25M (2m)

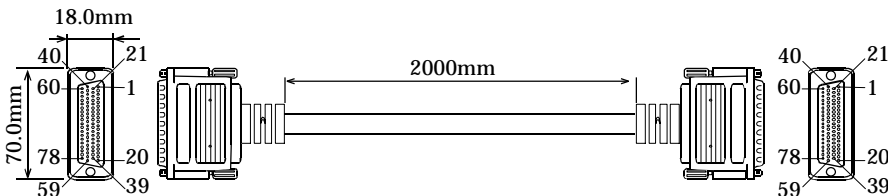
RSS-78M

User's Guide

CONTEC CO.,LTD.

The RSS-78M is a cable for connecting a 78-pin D-SUB connector on the RS-232C board with a 78-pin D-SUB connector on the distribution unit (CCU-78F/25M).

External Dimensions



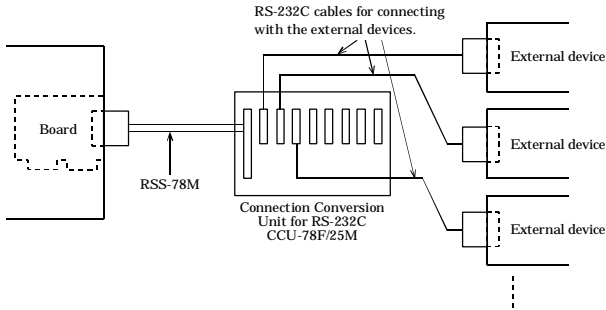
Specifications

Item	Specification
Connector	78-pin D-SUB male connector Thumb screw : UNC#4-40(Inch screw) x 2
Cable	78 core shield cable Conductor size: AWG28 Conductor composition: 7pcs/0.127mm UL2464
Weight	620g

Notes!

- Do not strike or bend the product. Otherwise, the product may malfunction, overheat, cause a failure or breakage.
- Do not insert or remove the connector while the power is turned on to the PC. Failure to observe this precaution may cause malfunction, overheating.
- The specifications of this product are subject to change without notice for quality improvement. Even when using the product continuously, be sure to read the manual and understand the contents.
- Regardless of the foregoing statement, CONTEC assumes no responsibility for any errors that may appear in this document or for any results of using the product.
- All relevant issues have been considered in the preparation of this document. Should you notice an omission or any questionable item in this document, please feel free to notify CONTEC CO., LTD.

Connection Diagram



Copyright 2000 CONTEC CO., LTD. ALL RIGHTS RESERVED.

CONTEC CO., LTD.

August 2004 Edition

3-9-31, Himesato, Nishiyodogawa-ku, Osaka 555-0025, Japan

Japanese <http://www.contec.co.jp/>

English <http://www.contec.com/>

Chinese <http://www.contec.com.cn/>

A-46-153 (LZN5701)

08032004_rev2 [01182000]

No part of this document may be copied or reproduced in any form by any means without prior written consent of CONTEC CO., LTD.