

# INOSP-W101-PC

Intel® Celeron® Processor N3010 Series  
Stainless Steel Panel PC

## INOSP Series 10"

### I/O View



### Features

- Digitizer touch pen support
- Stainless steel housing, 5 sides IP65 rated
- Gorilla 9H surface touch glass



- 12V~24V DC  $\pm$  20% wide range power input



- Adjustable U-mounting kit



### Why Stainless Steel?

- Easily cleanable
- Corrosion-resistant
- Smoothly bonded seams
- Durable
- 100% recyclable
- Hygienic

01

Vertical Applications  
Panel PC

02

Stainless Steel  
Panel PC

03

All-In-One Panel  
PC with Riser Card  
Expansion

04

Compact Panel PC

05

Heavy-duty  
Industrial Panel PC

06

ARM-Based  
Panel PC

07

ARM-Based HMI

# INOSP-W101-PC

## Specifications

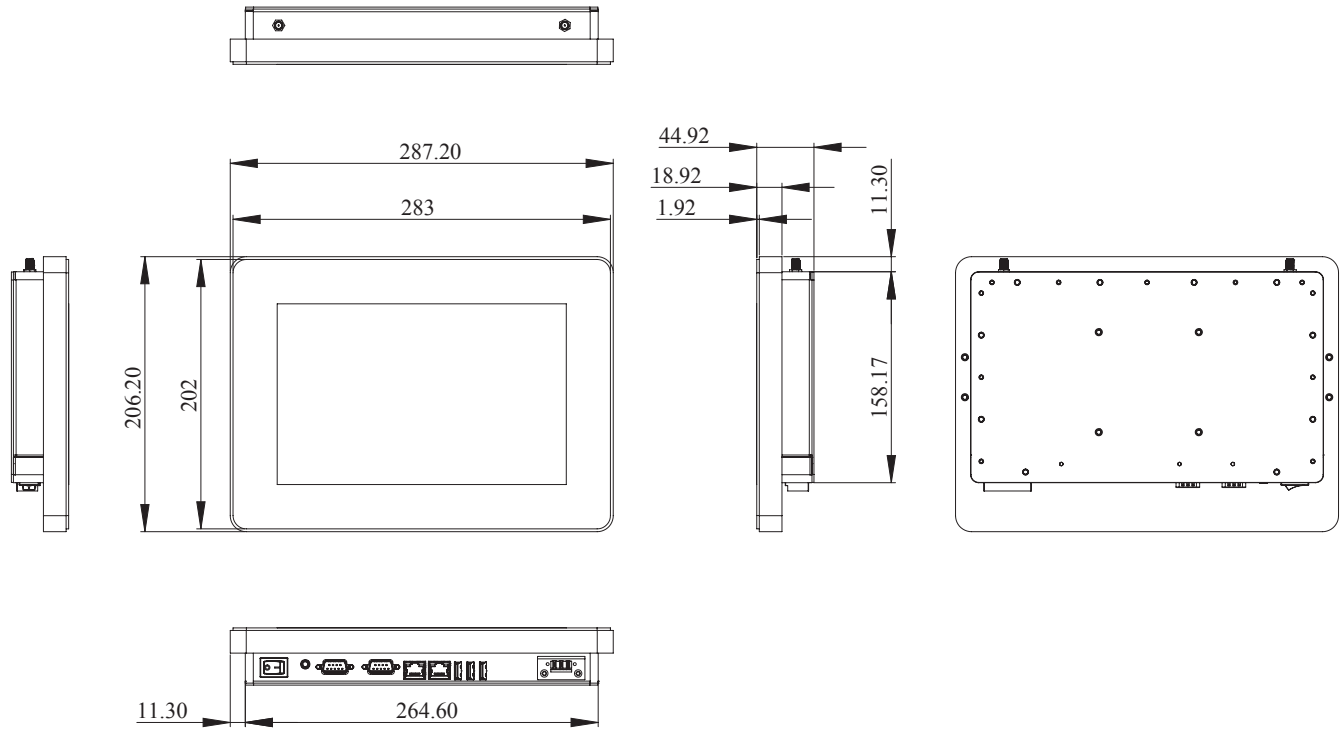
Model No.	INOSP-W101-PC	
Display & Touch Screen	Display Size	10.1" TFT-LCD
	Max. Resolution	1280 x 800
	Luminance (cd/m <sup>2</sup> )	300
	Contrast	800:1
	Max. Color	16.7M
	View Angle (H°/V°)	170/170
	Backlight Lifetime(hrs)	15000
	Touch Type	Projected capacitive
	Touch Interface	USB
	Light Transmission (%)	87
	Point of Touch	2
I/O Interface	USB 3.0	3
	USB 2.0	0
	RS-232/422/485 Selectable under BIOS	1
	RS-232	1
	LAN	2x GbE
	Additional Graphics	None
	Audio	Line-out
	Digital I/O	None
	Power Connector	3-pin terminal block
	Power Button	Rock switch
Mechanical	Dimensions (mm)	TBD
	Net Weight (kgs)	TBD
System	Processor	Intel® Celeron® Processor N3010 2 Cores @ 1.04G
	Memory	1x DDR3L SO-DIMM, up to 8GB, default DDR3L 4GB
	Thermal Design	Fanless
	Membrane Control	None
	Built-in Speaker/Mic	None
Expansion	Internal Expansion Bus	1x Mini PCI-E half/full size 1x Mini PCI-E half size
	Expansion Slot	None
	Wireless	Optional Wi-Fi/BT
Storage Space	HDD	1x 2.5" SATA
	Removable	None
Power	Power Input Range	24V DC
Construction	Chassis Material	304 Stainless Steel
	Color (Front/Back)	Silver / Silver
	IP Rating	IP65, except I/O side
	Mounting	Panel mount and VESA 75x75 mm, Adjustable stand
Environment	Operating Temperature	0°C ~ 50°C
	Storage Temperature	-20°C ~ 60°C
	Storage Humidity	10%~90% @ 40°C (non-condensing)
	Certification	CE/FCC Class B
	Supported Operating Systems	Windows 10, Windows 8.1 64 bits, Windows 7 64 bits

Remarks: 1. Specifications are subject to change without prior notice. 2. ODM/OEM is available. 3. For user's manual & datasheet download, visit [www.ibase.com.tw](http://www.ibase.com.tw).

# INOSP-W101-PC

## Dimensions

INOSP-W101-PC



## Ordering Information

INOSP-W101-PC	10.1" Flat Panel Design Panel PC with IBP800, Intel® Celeron® Processor N3010 2 Cores @ 1.04G, DDR3L SO-DIMM 4GB, 64G SSD, projected capacitive touch, w/o adaptor
Power adaptor (optional)	AC 100~240V input, 24V DC output 90W power adaptor IBASE P/N: A005PS090W0100600P

01

Vertical Applications  
Panel PC

02

Stainless Steel  
Panel PC

03

All-In-One Panel  
PC with Riser Card  
Expansion

04

Compact Panel PC

05

Heavy-duty  
Industrial Panel PC

06

ARM-Based  
Panel PC

07

ARM-Based HMI