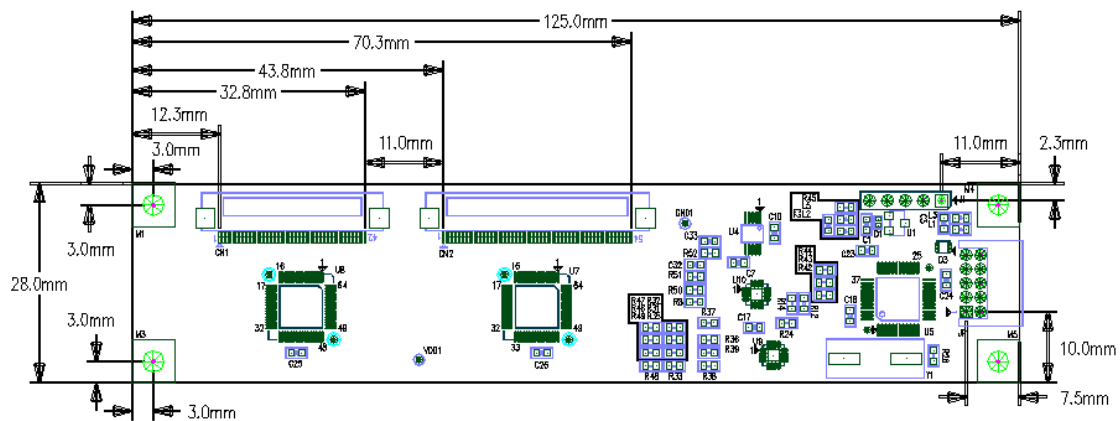




Projected Capacitive USB/RS232/I2C Touch Panel Controller

Inotouch launched touch control board to meet latest Restriction of Hazardous Substances (RoHS) Directive. This touch panel controller provides the optimistic performance of your projected capacitive touch panels. It communicates with PC system directly through USB/RS232/I2C connector. You can see how superior the design is in sensitivity, accuracy and friendly operation. The touch panel driver emulates mouse left and right button function and supports operation systems as following.

OS	Version	Interfaces
Windows	Windows 7 Windows Vista, XP/2000, 9x/ME Windows CE 2.12/3.0/.net/5.0/6.0 Windows Embedded Windows XP Tablet PC edition	USB/RS232
Linux	Mandrake (Mandrake 9.1/9.2/10, Mandriva 2005, Mandriva 2006), Red Hat (7.3/8.0/9.0), Fedora (Core I/II/III/IV/V/VI), Yellow Dog (3.X), SuSE (9.2/9.3/10/10.1), Ubuntu (5.1/6.06), Debian (3.1, Kernel 2.4.x/2.6.x)	USB/RS232/I2C (up to Kernel 2.6.x)
	Android 4.0 - Google Moblin V2/Meego - Intel	USB/RS232/I2C
Mac	Mac OS9, Mac OS X (IBM, intel CPU)	USB
QNX	QNX RTOS v6.3	USB/RS232



EXC205442TAG

Thickness:

Total thickness: 8.0mm ± 0.2mm

(Including PCB: 1.6mm.USB/RS232 connector:5.1mm. Soldering pin:1.3 mm)

Specifications:

USB/RS232/I2C Type Controller	
Circuit Board Dimension	28mm x 125mm
Channels of Panel	Max. Y:42 X:54 channels
Input Voltage	3.5V~5.5V.Typical 5V.
Operating Temperature	-40 to 85 °C
Storage Temperature	-40 to 90 °C
Relative Humidity	95% at 60 °C, RH Non-condensing
Interface	USB: 1.1 Full Speed RS232: No parity,8 data bits,1 stop bit, baud rate 57600bps I2C:100K/400K Hz
Resolution	2048×2048 resolution
Power consumption	Active Mode: Max 50 mA Idle Mode : 5mA Sleep Mode :0.5mA
Response time	Max. 20 ms

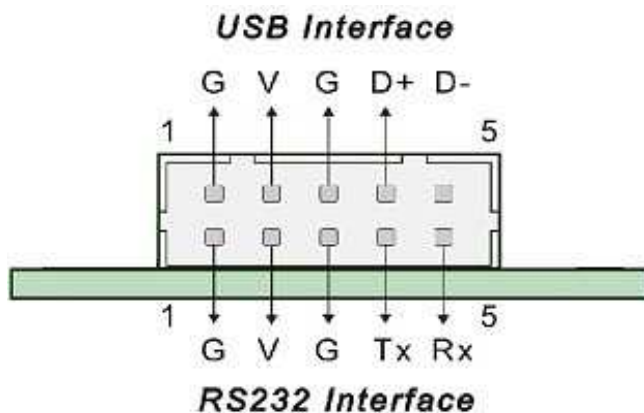
Product Package:

(1) PCAP Controller Board (EXC205442TAG)

(2) Y-Cable (ETP-CB-SXC00)

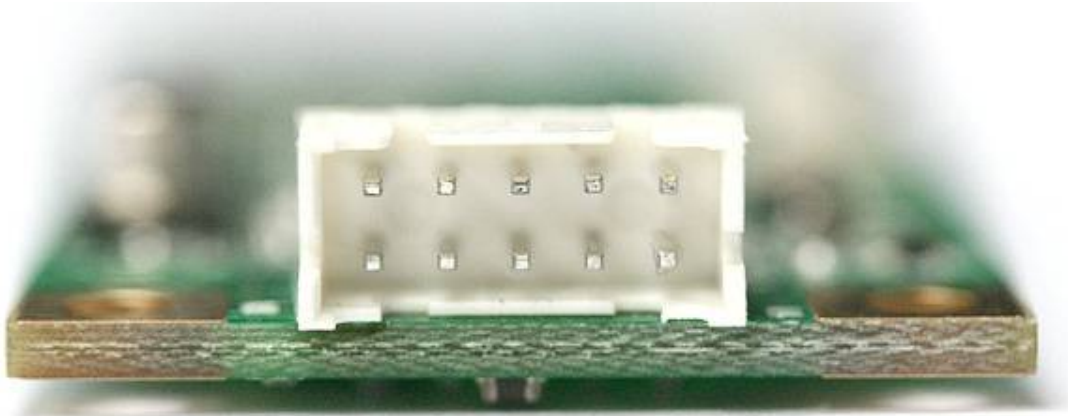
(3) USB cable (ETP-CB-SXU00) or RS232 cable (ETP-CB-SXR00)

USB/RS232 interface:



EXC205442TAG

USB/RS232 Connector:



USB/RS232 Combo Connector Pin Assignment:



I2C Connector Pin Assignment: (Connectors on PCB rear side)

5	4	3	2	1
I2C_INT	VDD	I2C_SCL	I2C_SDA	GND_EARTH

