

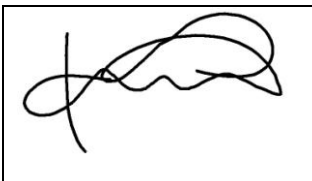
Projected Capacitive Touch screen

Product Specifications

INOTOUCH TECHNOLOGY

Controller model: EXC964478TAG

Approved by



JY KIM
Inotouch Technology
Quality team

Mar. 31 2014

Customer
Approved by: _____

– CONTENTS –

Revision	page 03
1. Scope	page 04
2. Projected Capacitive Controller	page 04
3. Controller Specifications	page 05
4. Controller Drawing	page 06
5. Label	page 06
6. Pin Map	page 07,08

1. Scope

This touch controller provides the optimistic performance of your projected capacitive touch panels. It communicates with PC system directly through USB connector. You can see how superior the design is in sensitivity, accuracy and friendly operation.

2. projected Capacitive Controller(USB)**2-1 Model**

EXC964478TAG

2-2 Firmware**2.3 Operating System**

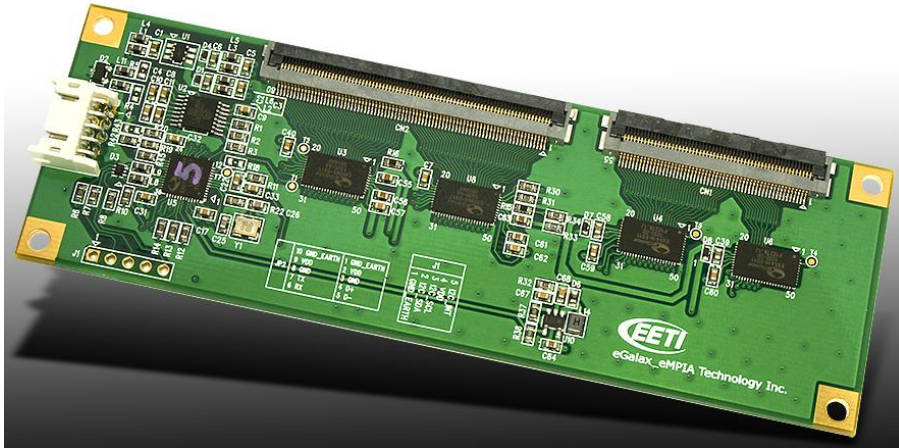
OS	Version	Interfaces
Windows	Windows 7 Windows Vista, XP/2000, 9x/ME Windows CE 2.12/3.0/.net/5.0/6.0 Windows Embedded Windows XP Tablet PC edition	USB/RS232
Linux	<i>The new Linux driver supports most of the Linux distribution on 32/64 bit versions, including Kernel 2.4.x / 2.6.x with XFree86 4.X / Xorg 6.7 to 7.6 (Up to X server 1.9.x)</i> <i>CentOS, Debian, Fedora, Gentoo, Mandrake (Mandriva), Red Hat, Slackware, SuSE (OpenSuSE), Ubuntu (Xubuntu), Yellow Dog, Android and Meego etc.</i>	USB / RS232 I2C (up to Kernel 2.6.x)
Mac	Mac OS9, Mac OS X (IBM, intel CPU)	USB
QNX	QNX RTOS v6.3	USB

3. Controller Specifications

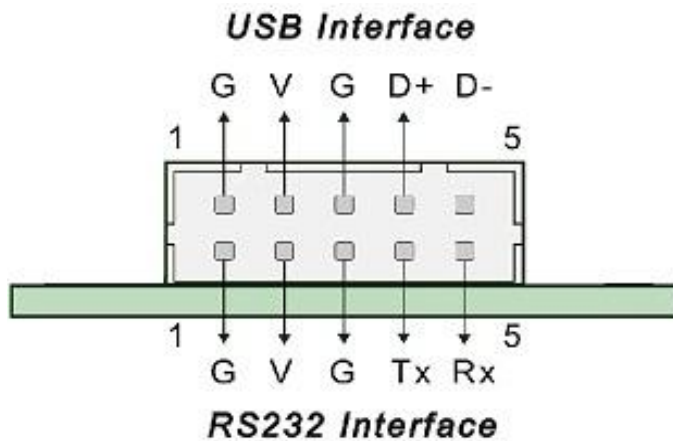
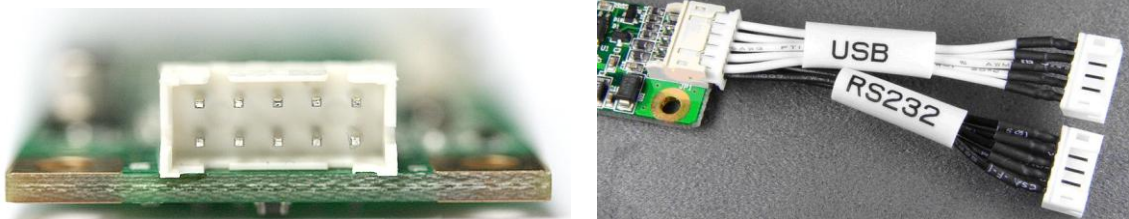
Items	Specification	Remarks
Type	USB controller	
Circuit Board Dimension	120mm x 40mm	
Power Requirements	D.C.+5V (100mA typical, 50mV peak to peak maximum ripple and noise)	
Operating Temperature	-25 to 80 °C	
Storage Temperature	-25 to 80 °C	
Relative Humidity	95% at 60 °C, RH Non-condensing	
Interface	USB: 1.1 Full Speed (12Mbps)	
Resolution	2048×2048 resolution	
Report rate	USB: Max. 120 points/sec	
Response time	Max. 25 ms	
Attached Cable	USB: 180cm shielded cable with USB-A connector	
Power consumption	Active Mode : < 55mA Idle Mode : < 5mA Sleep Mode : < 1mA	

6. Pin Map

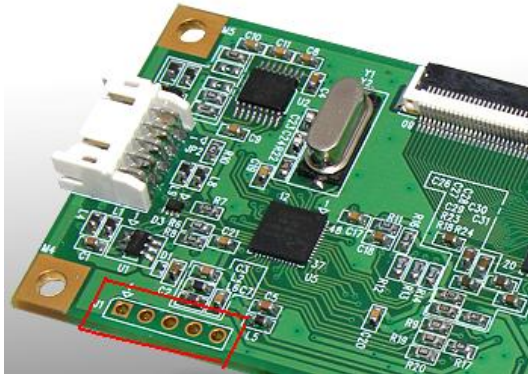
Upper View:



USB and RS232 Connector Pin Assignment:



I2C Connector Pin Assignment:



1	GND_EARTH
2	I2C_SDA
3	I2C_SCL
4	VDD
5	I2C_INT

