

PC Touch Screen Board

MAX TOUCH

User`s MANUAL

Ver1.0

N.C. Technology Co.,Ltd.

1.Features

Max Touch is analog touch screen control Board that performs A/D conversion on analog signal for the 4-wire resistive analog touch screen, and transmits coordination data with 10bit resolution to the host in a 9600bps serial (asynchronous) and USB.

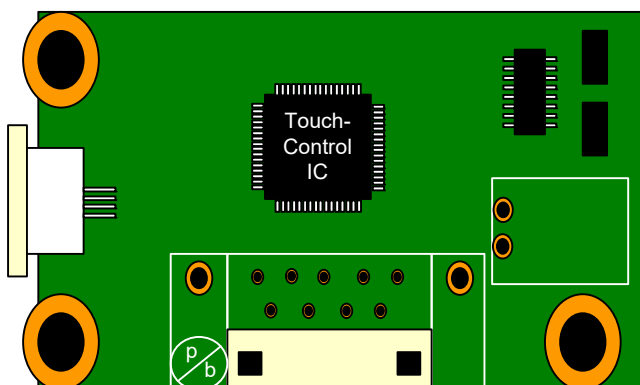
At the coordinate detection, internal filtering process provides a stabilized coordinate value. By using the correction function, in addition to the losses that occur in the circuit, display deflection between touch screen input point that occur in each element and indicator cursor can be corrected to adjust the display position.

§ 4-Wire resistive Models.

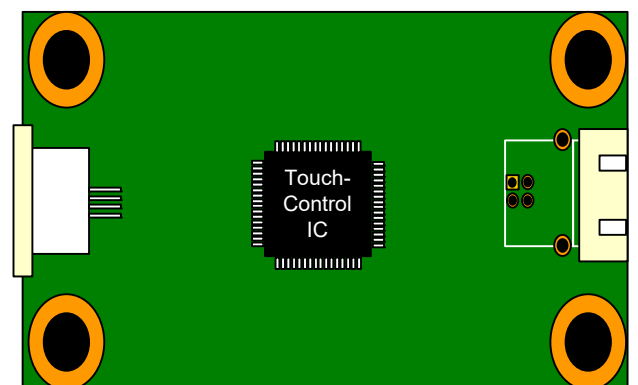
§ Two Type Mode (Serial & USB) .

§ Support Utility Program and Driver .

§ Support various operation systems .



1. serial [RS-232] type

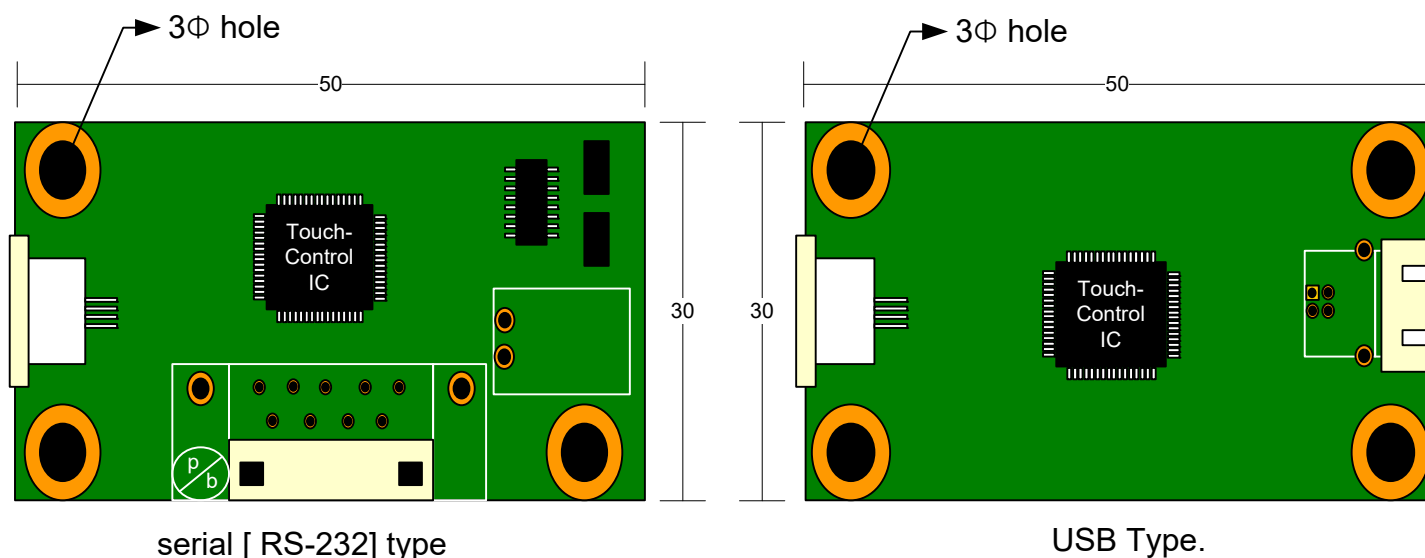


2. USB Type.

2.Specification

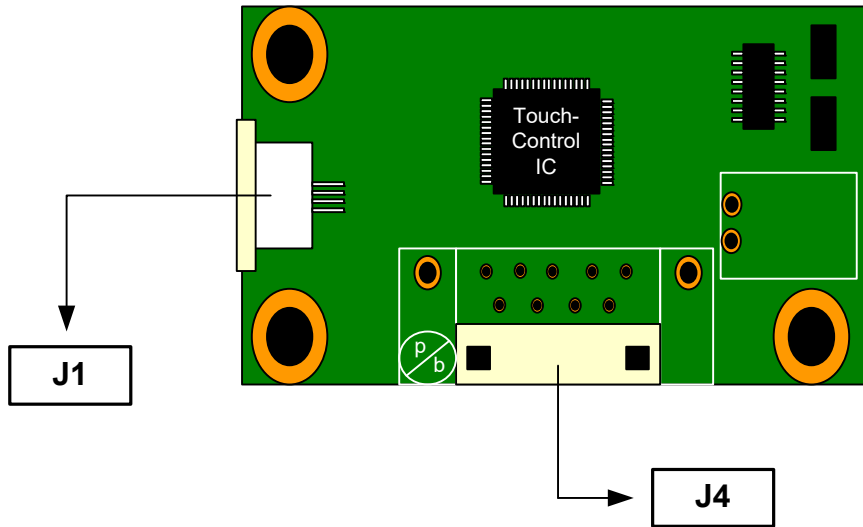
Type	MaxTouch [RS232]	MaxTouch [USB]
Power Supply Voltage	DC 3.00V to 5.25V	
Power Consumption	5V : 125mW [Standard] , 3.3V : 30mW [Standard]	
Operating Temp.	-20 °C to +85 °C	
Storage Temperature	-40 °C to +125 °C	
Communication Schme	9600bps , 8bit , 1bit , No Parity	USB 2.0 Full Speed
Operation Frequency	6MHz	
Coordinate resolution	10bit [1024 x 1024]	
Dimension [mm]	30 X 50	
Support OS	Windows XP , Windows 7 , Windows 8 , Windows 10	

Dimension [mm]



3. Connector Pin Assignment

1. Max Touch [Rs232 to Touch]



- J1 Connector : Molex 52271 - 0479 [FFC & FPC Connector 1mm FPC ZIF 4P]

- Pin Number

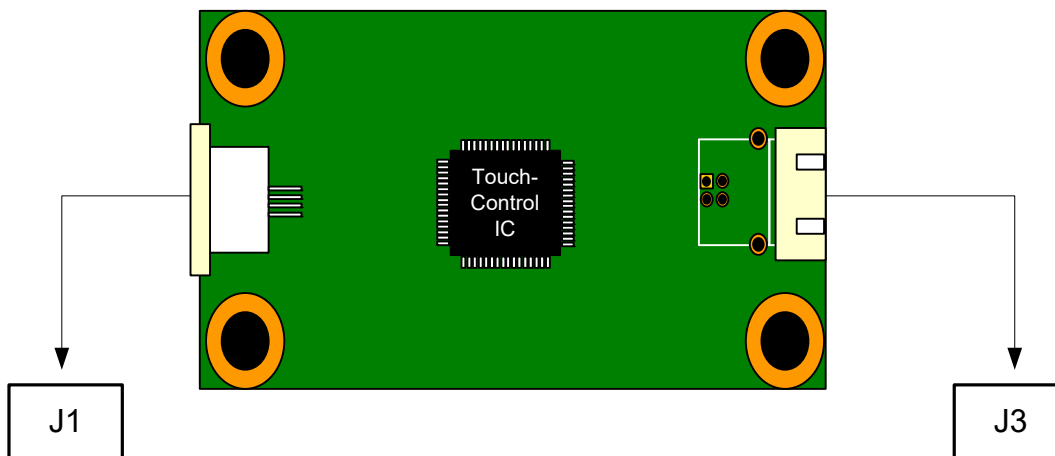
PIN NO.	NAME	Description
1	XL	Touch Screen Control Pin.
2	YU	Touch Screen Control Pin.
3	XR	Touch Screen Control Pin.
4	YD	Touch Screen Control Pin.

- J4 Connector : Molex 53015 - 0710 [2.0mm pitch MicroBlade™ , RightAngle ,7pin]

- Pin Number

PIN NO.	NAME	Description	PIN NO.	NAME	Description
1	NC	Not Connected	5	GND	Ground
2	TXD	RS-232 Transmit Data	6	VCC	5V
3	RXD	Rs-232 Receive Data	7	GND	Ground
4	NC	Not Connected			

2. Max Touch [USB to Touch]



- J1 Connector : Molex 52271 - 0479 [FFC & FPC Connector 1mm FPC ZIF 4P]

- Pin Number

PIN NO.	NAME	Description
1	XL	Touch Screen Control Pin.
2	YU	Touch Screen Control Pin.
3	XR	Touch Screen Control Pin.
4	YD	Touch Screen Control Pin.

- J3 Connector TYPE 1

Yeonho SMAW250 – 04 [2.5mm pitch ,
RightAngle ,4pin]

Pin Number

PIN NO.	NAME	Description
1	VCC	USB Power
2	USB D-	USB DATA -
3	USB D+	USB DATA +
4	GND	Ground

- J3 Connector TYPE 2

USB Female B Type Connector
[RightAngle ,4pin]

PIN NO.	NAME	Description
1	VCC	USB Power
2	USB D-	USB DATA -
3	USB D+	USB DATA +
4	GND	Ground

MAX TOUCH

User's MANUAL

N.C. Technology Co.,Ltd.

#706/707 , KOLON Science Valley I , 187-10 Guro - Dong , Guro – Ku , Seoul , Korea

TEL : 02 – 2025 – 4860

FAX : 02 – 2025 – 4865

[http : // www. da-view.com/](http://www.da-view.com/)
