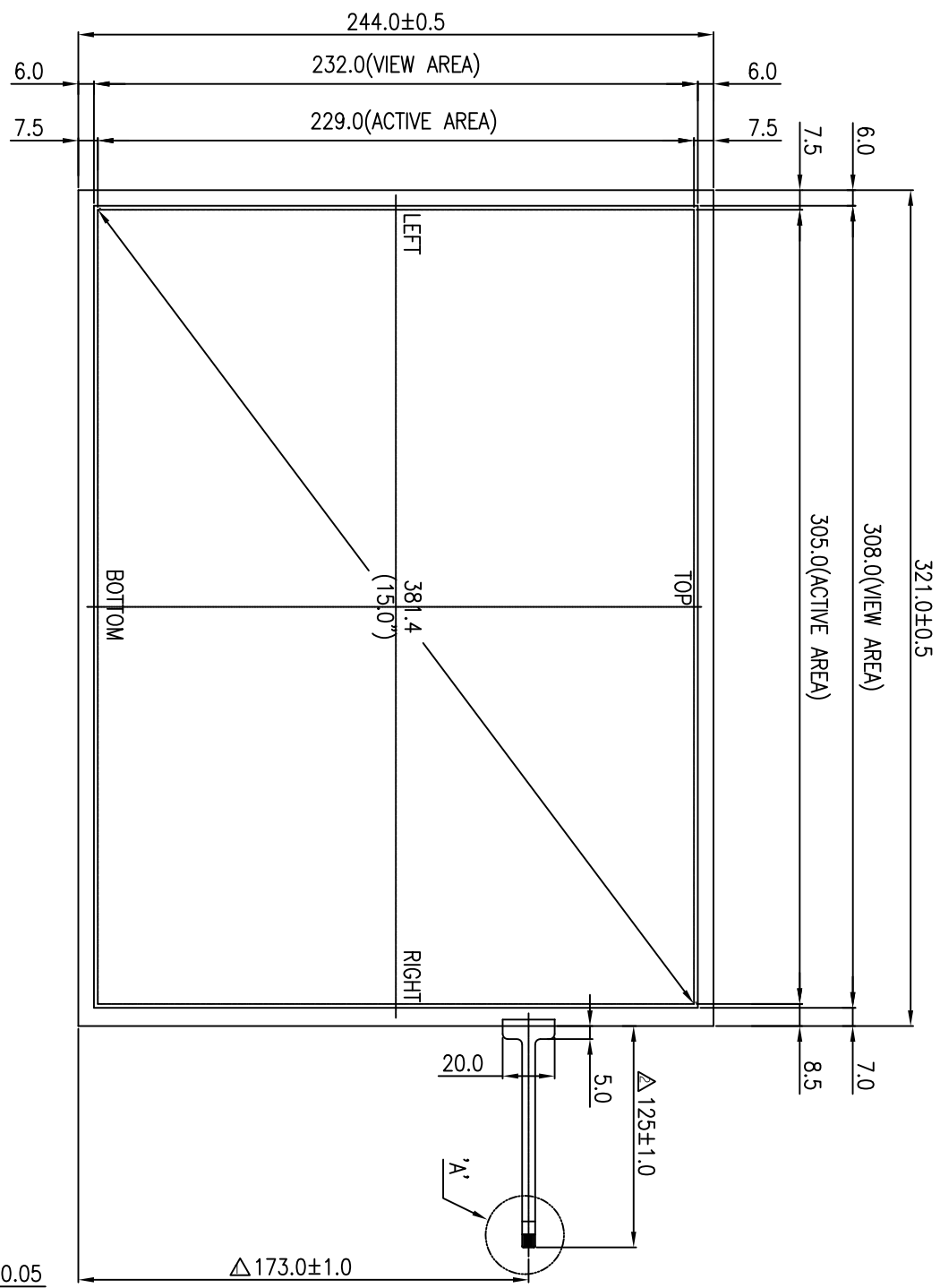
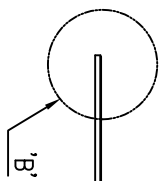


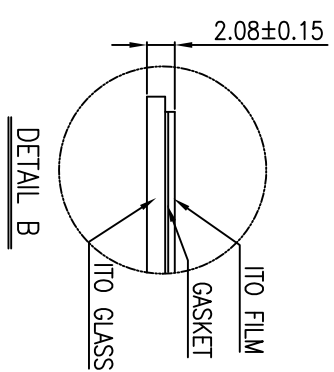
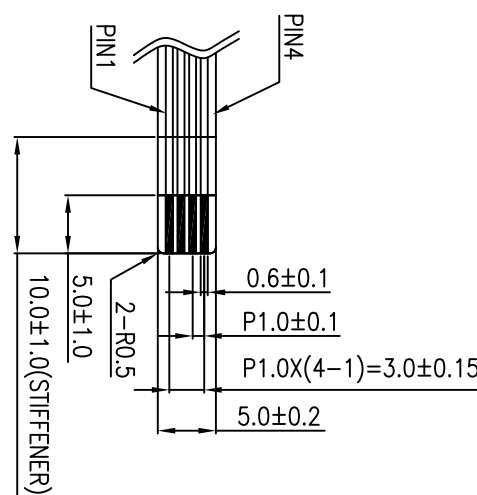
NO	SYMBOL	TERMINAL
1	LEFT	
2	BOTTOM	
3	RIGHT	
4	TOP	



15.0" TOUCH PANEL

SCALE : NONE

REV. NO.	REVISED	DATE	DRAWN	CHECKED	APPROVED
0	NEW DRAW	02.07.23	WJ.KIM		
△	TAIL LENGTH (200-85)	02.08.12	WJ.KIM		
△	TAIL LOCATION (122-173)	04.07.06	KB.KIM		
△	TAIL LENGTH (85-125)				



NOTE

- 1) TYPE : NON GLARE TYPE
- 2) GLASS THICKNESS : 1.8t
- 3) FILM THICKNESS : 200 μm
- 4) CONNECTOR : FPC
- 5) GENERAL TOLERANCE : ±0.3

APPROVE	UNIT	PROJECTION	DRAWING NO.	REV.
CHECK	mm		H3150A-NENBP27	
DESIGN	mm			
DRAW	mm			



DESCRIPTION: 15.0" TOUCH PANEL  
SHEET: 1/1