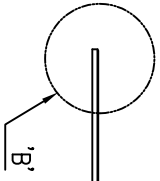
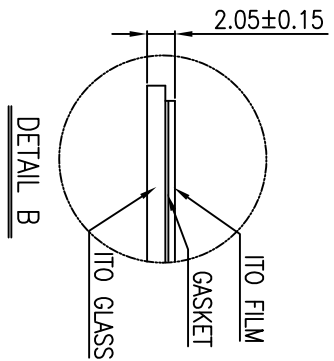
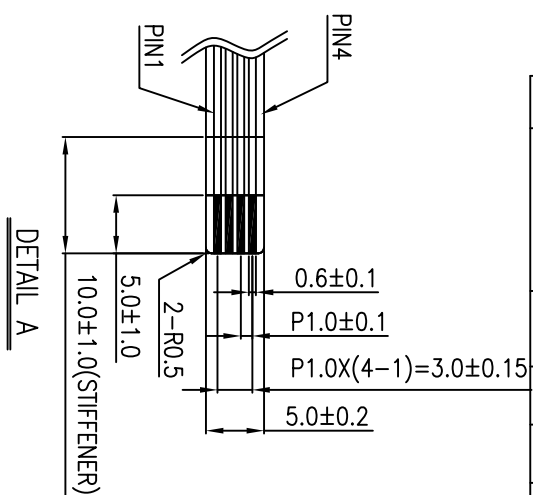
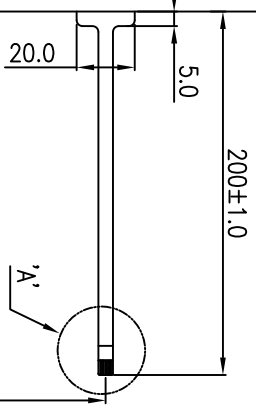
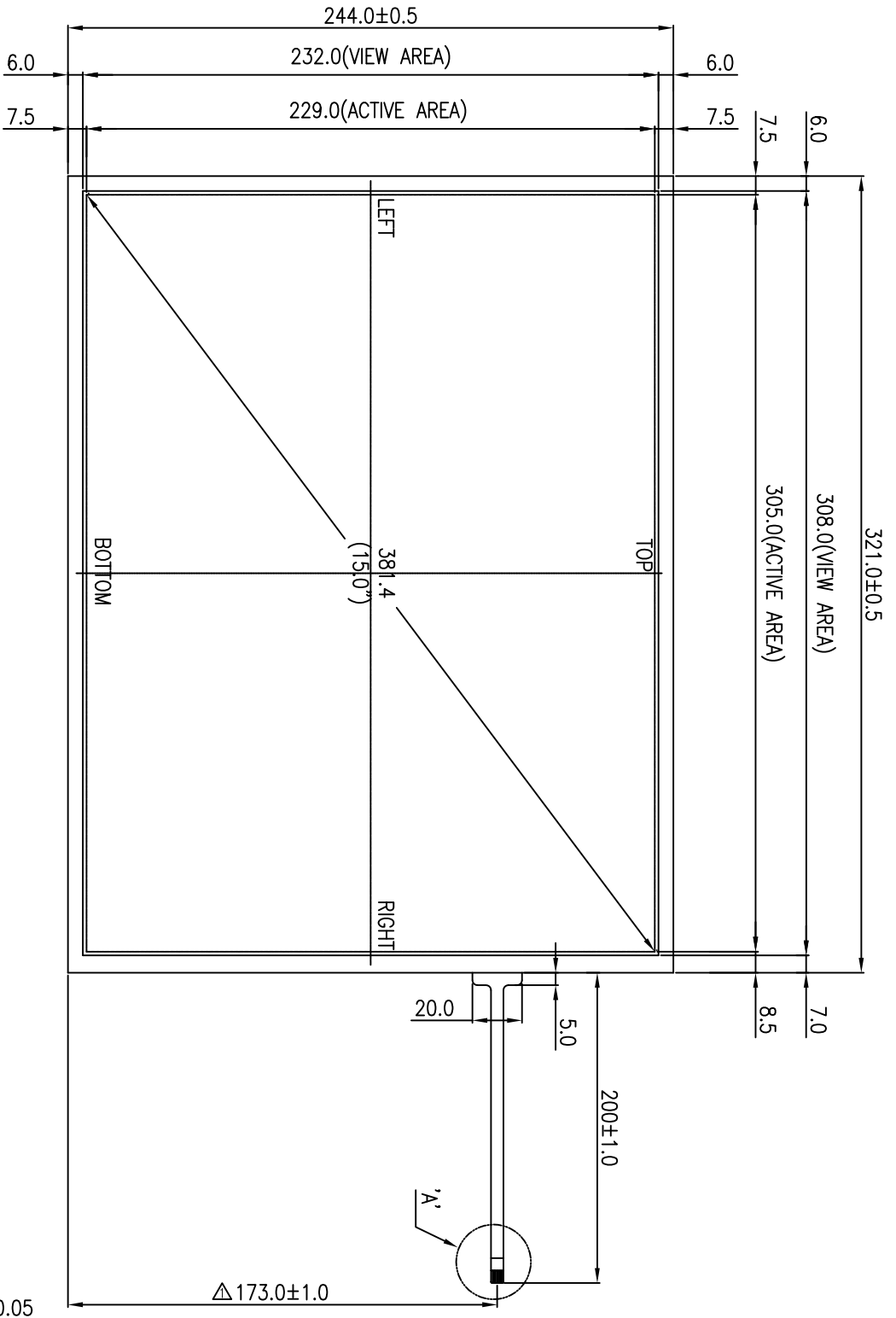


| NO | SYMBOL | TERMINAL |
|----|--------|----------|
| 1  | LEFT   |          |
| 2  | BOTTOM |          |
| 3  | RIGHT  |          |
| 4  | TOP    |          |



# 15.0" TOUCH PANEL

SCALE : NONE



- NOTE**
- 1) TYPE : NON GLARE TYPE
  - 2) GLASS THICKNESS : 1.8t
  - 3) Transmittance: 80% Typical
  - 4) CONNECTOR : FPC
  - 5) GENERAL TOLERANCE : ±0.5

| REV. NO. | REVISED                 | DATE     | DRAWN  | CHECKED | APPROVED |
|----------|-------------------------|----------|--------|---------|----------|
| 0        | NEW DRAW                | 02.07.23 | WJ.KIM |         |          |
| △        | TAIL LENGTH (200→85)    | 02.08.12 | WJ.KIM |         |          |
| △        | TAIL LOCATION (122→123) | 04.07.06 | KG.KIM |         |          |
| △        | TAIL LENGTH (65→125)    |          |        |         |          |

| APPROVE | CHECK | DESIGN     | DRAW | UNIT | SCALE | PROJECTION | DRAWING NO.    | DESCRIPTION       | REV. |
|---------|-------|------------|------|------|-------|------------|----------------|-------------------|------|
|         |       | <i>Kim</i> |      | mm   | NONE  | 1st        | H3150A-NENBW02 | 15.0" TOUCH PANEL | 1/1  |

